

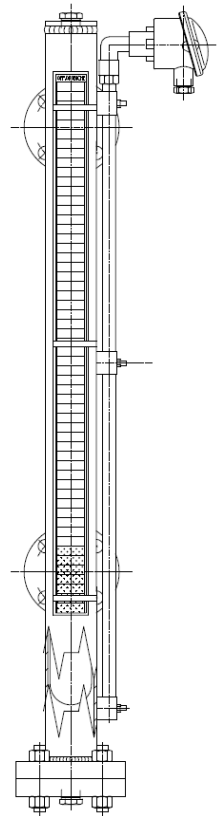
INSTRUCTION MANUAL FOR LEVEL TRANSMITTER TL SERIES

1. INSTRUMENT DESCRIPTION

Level transmitters TL series are used for measuring with remote re-transmission in a 4/20 mA current two wires outside of a 2000 Series Magnetic Level Gauge.

2. MODEL IDENTIFICATION

TL.	N	Standard for safe area	+I Local Display
	EX	Intrinsically safe	
	XD	Explosionproof	
	HR	HART for safe area	
	HX	HART Intrinsically safe	
	HD	HART Explosionproof	
	FX	Fieldbus Intrinsically safe	
	FD	Fieldbus Explosionproof	
PX	Profibus Intrinsically safe		



3. OPERATING PRINCIPLE

The 2000 Series float (1) containing a permanent magnet (5) acts on the TL Series rod (2), inside which a potentiometer chain (3) made up of reed contacts and resistances is found.

The magnetic field of the float closes in a sequence the various reed bulbs so as to create a resistance variation that is proportional to the position of the float itself.

A converter (4), located in the instrument's head transforms the resistance variation into a 4/20 mA current variation.

4. INSTALLATION

4.1 MOUNTING

The instrument is mounted outside of the level 2000 Series trough the dedicated brackets.

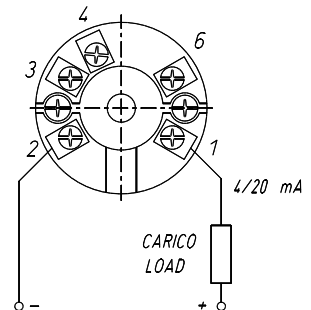
4.2 WIRING

The connection shall be made in accordance with the diagrams provided and the cables shall suit the envisaged application. (temperature, environment, etc.).

The wiring shall be performed in full compliance with the regulations in force in the country of installation.

Shielded cables are preferred to avoid failures due to current peaks.

After the wiring, close the housing and the cable gland tightly.



Note for environments featuring explosion risks (Ex)

The level transmitter shall operate through an Ex i certified barrier for zones 1 or 2.

Make sure the TLT transmitter suits the area classification and the characteristics of the flammable substances that are found within the system.

Take all measures required to avoid all sparks, wherever a combustible mixture of gas and air can be found in the environment.

Working within this area is strictly forbidden unless the person at issue is qualified.

Safety measures shall be taken to avoid all risks affecting people and the structure.

5 SETTING AT WORK

Ensure that use does not exceed the allowed limits (e.g. pressure, temperature, and the like) and ensure the instrument correctly performs the measurement, making the level of fluid in the vessel vary a few times.

In cases where this was not possible, the float can be moved by hand. Insert a current meter in serial connection with the line to ensure the transmitter operates properly.

The standard embodiment ranges from 4mA = 0% to 20mA = 100% (on demand, this embodiment can be reversed).

Comply with the feeding voltage, equalling 10-35 Volt for the standard models and 10-28 Volt for the Eexi models.

The maximum load results from the following formula:

$$R_{LOAD} = (V_{SUPPLY} - 8) / 0.023$$

The instrument shall not be operated very close to strong magnetic fields (minimum distance: 1m)

It can only be used with suitable feeders or indicators.

6.SETTINGS

The instrument is factory-set and does not demand any field setting.

7.MAINTENANCE

TL transmitters do not generally require a routine maintenance schedule.

Periodically check, once every six months approximately, that the rod is clean and the instrument operates correctly.

Notes for environments featuring explosion risks (Ex)

Tests and maintenance shall be performed in accordance with the criteria set forth in the related EN standards.

- Terminals and cable connections well tight to avoid overheating.
- Effective grounding system.
- All replaced parts shall be original parts.
- No repair of broken pieces will be allowed.

7.1 NOTICES

- NEVER open the cover without making sure that the voltage supply has been disconnected;
- NEVER leave the housing without the cover for longer than the inspection time;
- NEVER use the instrument with a pressure or a temperature value exceeding the ratings on the nameplate;
- NEVER use the instrument with an electrical rating that exceeds the ratings on the nameplate;
- NEVER make adjustments or replace parts without having carefully read the related instructions; in case of doubts, please contact our Customer Care dpt.;
- NEVER lubricate parts of the instruments;
- In cases when the instrument is used with low or high temperatures, take all measures required to guarantee protection to the service personnel during maintenance.

8. SPARE PARTS

The complete transmitter can be supplied as spare part for a 2000 Series.

On ordering spare parts, always indicate the serial number of the unit.

This number is given on the instrument's nameplate that is fixed on it and is a five-digit number preceded by the letter "F" (e.g. F45678).

9. FAULT FINDING

Level Transmitters TL Series are not generally subject to faults.

In cases they do not perform the measurement, perform the test as described in paragraph 7. MAINTENANCE

10. DISPOSAL

Once their service life is over, the instruments need to be scrapped. Please comply with the regulations in force on this subject.

During disposal, special attention must be addressed to polymers, resins and rubbers used in the manufacturing process (PVC, PTFE, PP, PVDF, neoprene, viton, etc.).

Separate mechanics from electronics, the latter having to undergo disposal in compliance with the regulations in force.

All metal parts, once separated from all gaskets, special protective coverings requested by the customer and any other part made from plastics, can be recycled.

11. GUARANTEE

All level indicators are guaranteed as fault-free over a period of 12 months from the delivery date.

In the event of failures, with return of the goods, within the period detailed above, OFFICINE OROBICHE will replace all damaged parts in fulfillment of the mentioned guarantee (shipment fees not included), provided that the fault does not ensue from an improper use of the instrument.

OFFICINE OROBICHE shall not be held responsible for any incorrect use of their own products in cases when they are used for purposes other than those detailed on the specifications approved at the order issue stage.

If so, no claim will ever be considered.

All damages and/or expenses, whether direct or indirect, ensuing from an improper use of the unit, shall not be assigned or debited to OFFICINE OROBICHE.

The indicator can be used for a maximum period of 10 years from delivery.

After this period, two new alternatives are possible:

- 1) Replace the unit with a new one
- 2) Have it overhauled by OFFICINE OROBICHE.



INSTRUMENT RETURN PROCEDURE

IN attachment to the unit being returned, please indicate:

- 1) Purchaser's name.
- 2) Material description.
- 3) Fault found
- 4) Process data.
- 5) Fluids used with the unit.

The instrument shall be returned perfectly cleaned and free from dust or deposits, otherwise OFFICINE OROBICHE reserve the right no to perform the required maintenance and return the unit to the sender.

FINAL REMARKS

Each unit is supplied completely mounted and equipped with all accessories required.

Only under special circumstances shall some pieces be supplied separately.

Therefore, we suggest you carefully analyze the supply and immediately notify us of all discrepancies found.

ATTENTION:

IF THE INSTRUMENTS WILL BE USED IN A HAZARDOUS LOCATION THE END USER MUST COMPLY WITH THE ADDITIONAL SECURITY INSTRUCTION ENCLOSED TO THE STANDARD ONES