



INSTRUCTION MANUAL LED ILLUMINATOR TRANSPARENT LEVEL GAUGE

1. DESCRIPTION

To improve the liquid visibility in situation with low light (e.g., nighttime, shadow or low light indoor installation), the level gauges T series can be equipped with a white LED illuminator located on the indicator's rear side.

The illuminator is composed of three main parts: aluminium enclosure, modular LED bars and power supply.

1.1 ALUMINIUM ENCLOSURE

Made with an aluminium extrusion, is protected on the front with a two layers security glass sealed over the entire length, the ends are closed with two SS316 covers sealed with a shaped silicone gasket.

Covers are joined with extruded bar with four screws each cover and the one of the bottom side is equipped with a cable gland suitable for low temperature. The back side of the extrusion has a T profile to allow fixing of the power supply, if needed, and the bar itself to the level indicator.

The enclosure is IP66 compliant with IEC/EN 60079-0.

1.2 LED BARS

The LED bars are made with a custom PCB that slide inside the aluminum extrusion.

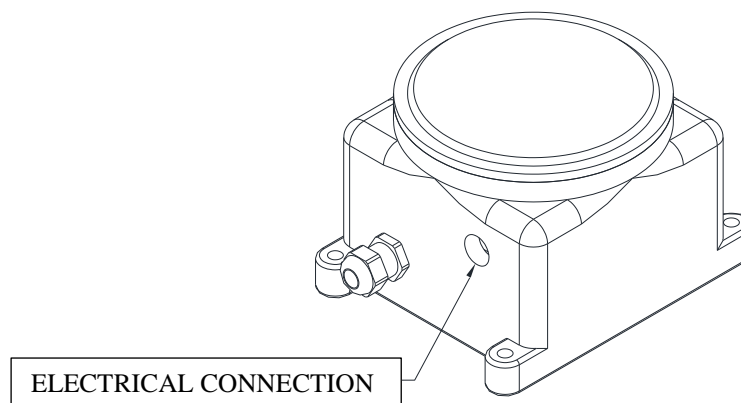
Power supply, from 20 to 24 VDC, comes from a multicore cable with 8 single conductor.

1.3 POWER SUPPLY ENCLOSURE

The power supply is fixed on the backside of the aluminium extrusion or in a remote location.

It's composed of three parts:

1. Explosion-proof Aluminium enclosure type
2. AC/DC power supply and DC/DC intrinsically safe four channels power supply.
3. Two Exd explosion proof cable glands according to EN 60079-14 one for the AC power IN and one for the DC power OUT to the LEDs bars.



2. MOUNTING

Refer to the following drawings:

