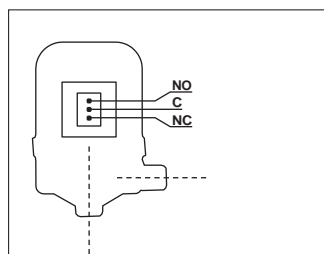


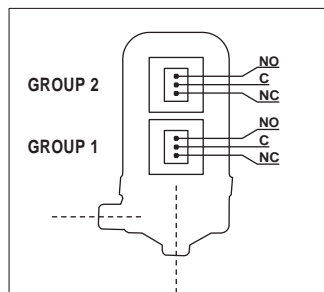
70 SERIES LEVEL SWITCHES

One-float level switch with inspectable body for external side mounting with one or two switching units. For pressure up to 50 Bar, for temperatures up to 400°C max. and for fluids with a specific gravity of 0,58 kg/dm³ min. for the 72 model; 0.7 kg/dm³ for the 74 and 76 models; 0.65 kg/dm³ for the 72D model and 0.8 kg/dm³ for the 74D and 76D models. Minimum differential of each switch with SP.GR. of 1 kg/dm³, 30 mm. Set point accuracy: ± 5 mm.



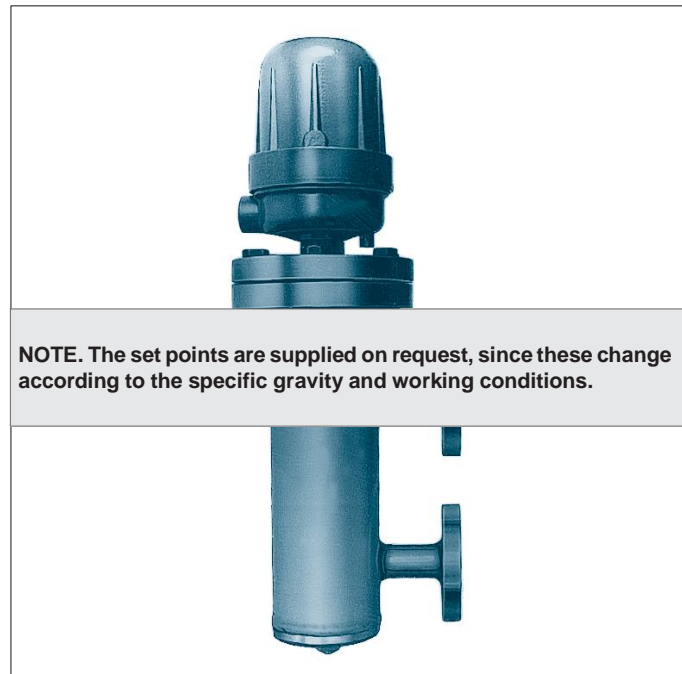
70 series

The 70 series is equipped with one switching unit fi with one SPDT switch (two simultaneous acting SPDT switches can be supplied on request).

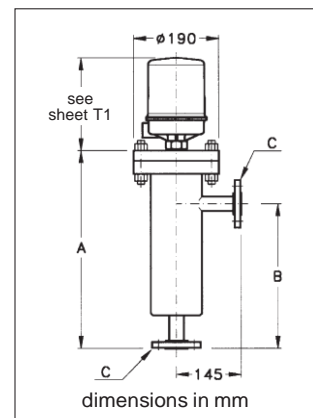
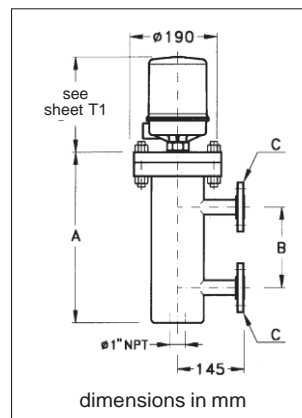
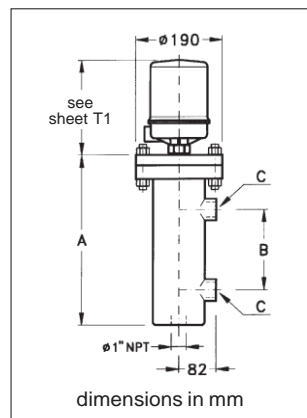
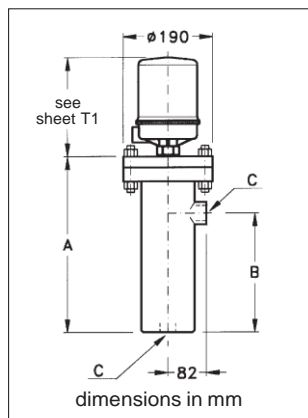


70 D series

The 70 D series is equipped with two switching units (for separate actions) with one SPDT switch fi on each unit.



NOTE. The set points are supplied on request, since these change according to the specific gravity and working conditions.



CONNECTIONS	THREADED			FLANGED		
	B CONNECTIONS DISTANCE mm	A mm	WEIGHT ~ kg	B CONNECTIONS DISTANCE mm	A mm	WEIGHT ~ kg
SIDE/BOTTOM	255 (325 ¹)	375 (445 ¹)	20 (22)	330 (400 ¹)	450 (520 ¹)	23 (25)
SIDE/SIDE	178 ⁽¹⁾	375	20	178 ⁽²⁾	375	23
SIDE/SIDE	292	490	23	292	490	25
SIDE/SIDE	330	530	24	330	530	27
SIDE/SIDE	356	555	25	356	555	28

1) min. dimensions for 70D series with two switching units

2) the 76 D model is not available with 178 mm S/S connections

Standard "C" connections: Threading 1" NPT-F; Flange UNI PNDN 25/1" ANSI.....RF; 1" S.W.

On request, non-standard threads and flanges can be supplied.

For temperatures exceeding 135°C or below -10°C, fins with the "R" code are fitted on all versions; temps. of 135-250°C, R1; 250-400°C, R4; -10 to -80°C, R3.

A version with body ø 6" is available for special applications (3070 series)



WORKING CONDITIONS

MODEL		72			74			76 (1)		
STD "C" FLANGE		1" ANSI 150 RF UNI DN 25 PN 16			1" ANSI 300 RF UNI DN 25 PN 40			1" ANSI 600 RF UNI DN 25 PN 64		
VERSION		A	I	J	A	I	J	A	I	J
Temperatures	100° C	17	15	16	35	30	31	46	40	42
	150° C	15	13	14	34	27	29	45	36	38
	200° C	13	12	13	33	25	27	43	32	35
	250° C	11	11	11	32	23	25	41	30	33
	300° C	10	10	10	29	22	24	38	28	31
	350° C	8	8	8	28	21	23	36	28	30
	400° C	6	6	6	27	21	22	34	27	29
BODY RATING		ANSI 150			PN 40			ANSI 300		

On request, a special version with ANSI 600 body and connections rating is available, but with max. test pressure of the float at 120 Bar.

MATERIALS

CODE FOR:	Materials	Carbon steel	AISI 304	AISI 316
	Body	A	I	J
	Float	-	-	2

On request, versions in plastic (PVC - MOPlEN - PVDF) can be supplied.

SWITCHES

Type	Mercury switch	Dry microswitch					Pneumatic switch*
Load rating	220 V a. c. 10 A 110 V d. c. 1,5 A	250 V a. c. 10 A 125 V d. c. 0,5 A	125 V d. c. 10 A	250 V a. c. 10 A 125 V d. c. 0,5 A waterproof	125 V a. c. 1 A 28 V d. c. 1 A waterproof with gold contacts	250 V a. a. 1A 24 V d.c. 3A sealed with inert gas	Output: 0 ÷ 40 psi max.
CODE	VD	M2	M3	M4	M6	M14	PNA (aluminium)

*Air inlet and output connection 1/4" NPT-F - No bleed type

ENCLOSURES

Type	Waterproof	Explosion-proof	The (WP) enclosures can be supplied whit gland or with a 3 or 7 pole connector as per MII standards. The (eP) enclosures can be supplied whit explosion-proof gland. 1) CeSI certifi N. 02-ATeX-126
Material	Aluminium	Aluminium	
Electrical Connection	1/2" NPT-F/GAS 3/4" NPT-F/GAS ISO M20X1.5	1/2" UNI 6125/NPT-F 3/4" UNI 6125/NPT-F ISO M20X1.5	
Protection degree	IP 66	ATEX II 2 G Ex d IIC T6 o T5 Gb ATEX II 1/2 D Ex ta/tb IIIC T85° o T100° C Da/Db IP 66	
CODE	WP	EP	

HOW TO ORDER

example: 72 - A - 2 - M2 - WP - R1

- 72 model
- A body in carbon steel
- 2 float in S/ steel AISI 316
- M2 dry micro. 250 v a.c. - 10 A
- WP waterproof enclosure
- R1 coolings fins (t 200° C); optional

The following data are required: type of fluid, specific gravity, operating temperature and pressure.



OFFICINE OROBICHE S.p.A.

24010 Ponteranica (Bergamo) ITALY - via Serena, 10 - Tel. 0039.035.4530.211 - Fax 0039.035.570546

www.officineorobiche.it e-mail: info@officineorobiche.it

Information subject to change without prior warning