

## RJB & TJB SERIES WELDED LEVEL GAUGE

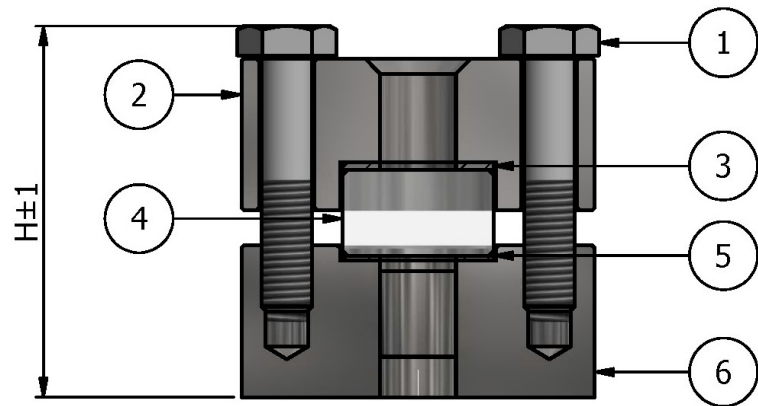
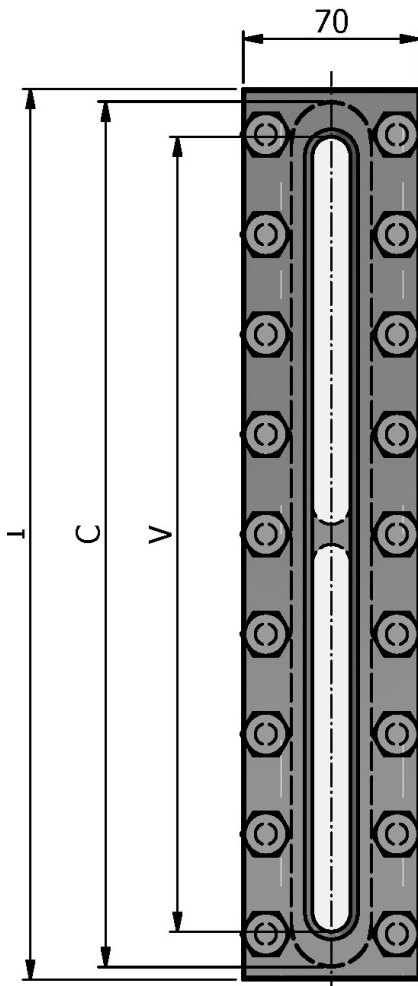
**RJB version REFLEX welded level gauge**

**TJB version TRANSPARENT welded level gauge**

Suitable for welding on the walls of tanks; it is equipped with one or more glass crystals, of reflection or transparency type, sealed by gaskets firmly fixed by screws.

### Applications

Ideal for viewing the liquid contained in tanks, various vessel, reactors, silos, etc. It is mainly used as an indicator for monitoring the filling level.



POS	DESCRIZIONE
1	Screws
2	Cover
3	Gasket
4	Glass
5	Gasket
6	Body

### **Operating conditions**

- Ambient Temperature: -40 / +60°C
- Pressure Class: PN 40
- Temperature: -46°C / +240°C

### **Materials**

- Body: Low Temperature Carbon Steel A350 LF2 Galvanized (Suffix **A**), AISI 316 (Suffix **J**)
- Cover: Low Temperature Carbon Steel A350 LF2 Galvanized (Suffix **A**), AISI 316 (Suffix **J**)
- Glass: Prismatic Borosilicate (Reflex type)  
Smooth Borosilicate (Transparent type)
- Gaskets: Graphite (Suffix **G**), PTFE (Suffix **T**)
- Screws: Galvanized Carbon Steel A193 B7, Stainless Steel 304 A193 B8

### **Construction**

- With flat or rounded surface
- Painting on request for body and cover in carbon steel

### **TABLE WITH DIMENSIONS & VISIBILITY**

Mis	I ±1	V ± 2	C	H
11	128	90	115	73
12	153	115	140	73
13	178	140	165	73
14	203	165	190	73
15	233	195	220	73
16	263	225	250	73
17	293	255	280	73
18	333	295	320	73
19	353	315	340	73
24	406	368	190	73
25	466	428	220	73
26	526	488	250	73
27	586	548	280	73
28	666	628	320	73
29	706	668	340	73
36	789	751	250	73

**HOW TO ORDER: RJB.17.A.J.G.XX (example model)**

<b>RJB</b>	<b>Model (Reflex)</b>
<b>17</b>	<b>Size (Visibility: 256 mm)</b>
<b>A</b>	<b>Cover material (Carbon Steel)</b>
<b>J</b>	<b>Body material (AISI 316)</b>
<b>G</b>	<b>Gasket (Graphite)</b>
<b>XX</b>	<b>Non standard version</b>