

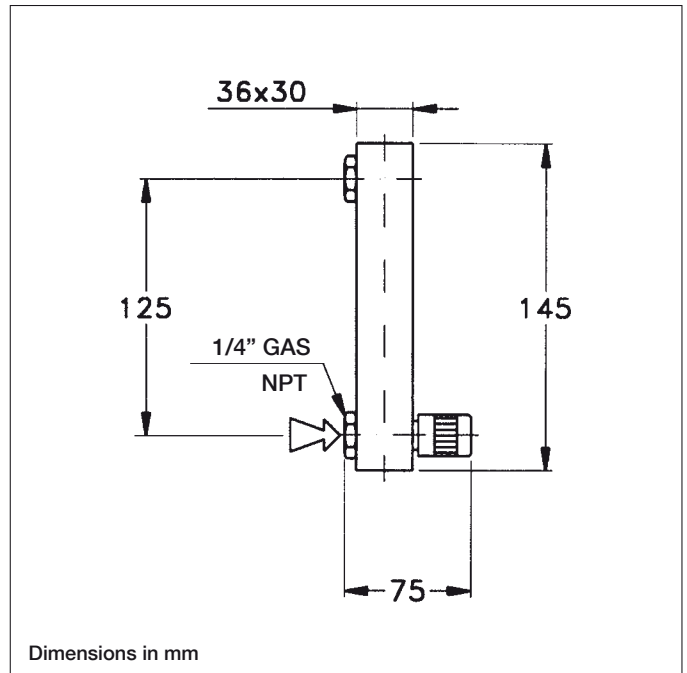
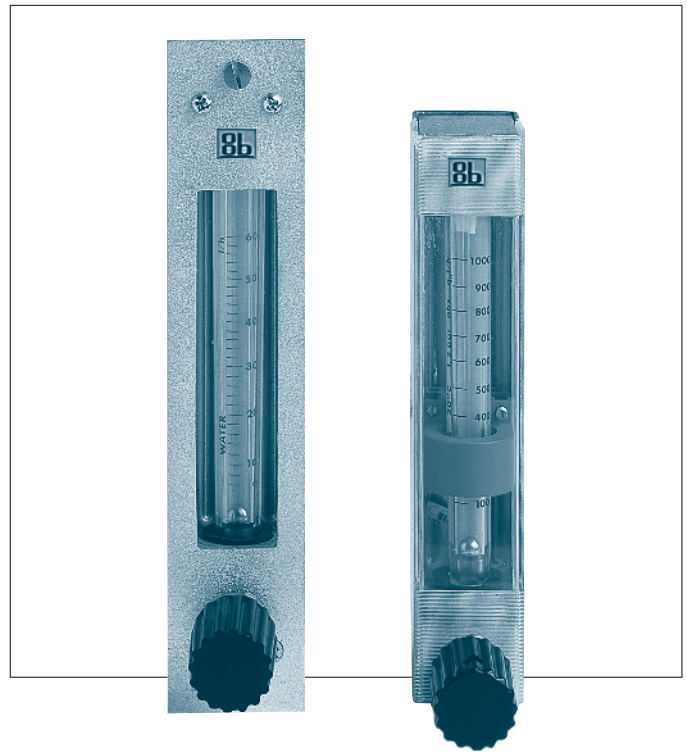
212 SERIES - FLOWMETERS

TECHNICAL FEATURES

- Borosilicate glass tube
- Structure in AISI 304
- Wetted parts in AISI 316
- Spherical float in AISI 316
- Built-in control valve in AISI 316
- Gaskets in Viton
- Float-stop in Teflon
- Length of the scale about 65 mm.
- Accuracy: $\pm 5\%$ full scale value
- Max pressure 16 bar
- Max temperature 100° C
- Quick replacement of the glass
- Protection in plexiglass
- Holes for fixing on panel
- Weight 0,4 kg

ACCESSORIES

- Inductive monostable or bistable alarm NAMUR type
- Aluminium frontal panel



SPHERE Diameter mm	CODE scale	H ₂ O (l/h) 20°C	CODE scale	AIR (NI/h) 20°C 1 bar ass.
4	-	-	H0	0,5 - 5
4	-	-	H1	0,8 - 8
4	-	-	H2	1,6 - 16
4	-	-	H3	2,5 - 25
4	-	-	H4	4 - 40
4	E0	0,25 - 2,5	H5	6 - 60
6	F0	0,5 - 5	G0	10 - 100
6	F1	1 - 10	G1	16 - 160
4	F7	1,6 - 16	G2	25 - 250
6	F2	2,5 - 25	G3	40 - 400
6	F3	4 - 40	G4	63 - 630
6	F4	6 - 60	G5	100 - 1.000
6	F5	10 - 100	G6	160 - 1.600
6	F6	16 - 160	G7	250 - 2.500
6	-	-	G8	400 - 4.000

The alarm contact is not applicable on the flowmeters with scale code "F6" "G7" and "G8"

HOW TO ORDER

Example: 212 - J - 1 - F4 - C0 - XX

- 212 model
- J wetted parts in AISI 316
- 1 connections 1/4" GAS-F
- 2 connections 1/4" NPT-F
- F4 Flow range 6-60 l/h H₂O (see schedule code)
- C0 no sensor
- C1 bistable inductive sensor
- C2 monostable inductive sensor

- XX speciality to be described separately
(ex. aluminium frontal panel)

In case of fluid different from water please specify the type of fluid precising: specific gravity, viscosity, temperature, pressure, at the operating conditions.