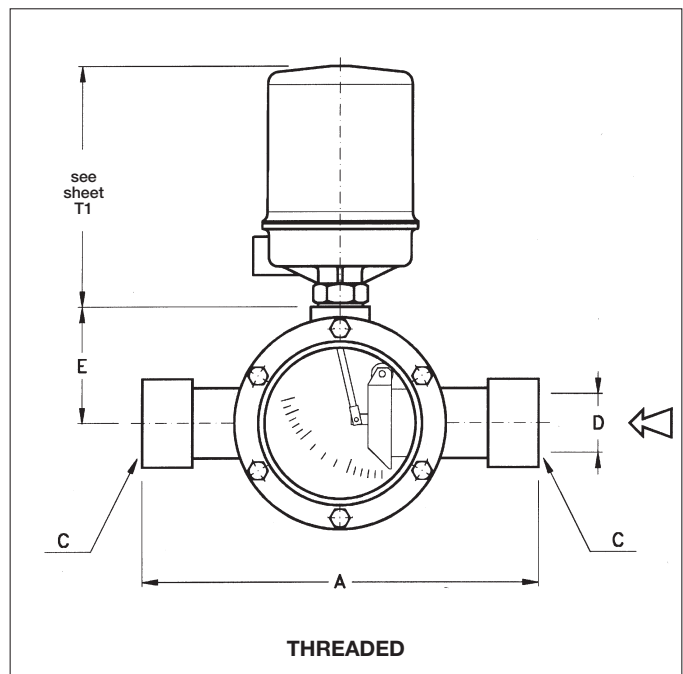
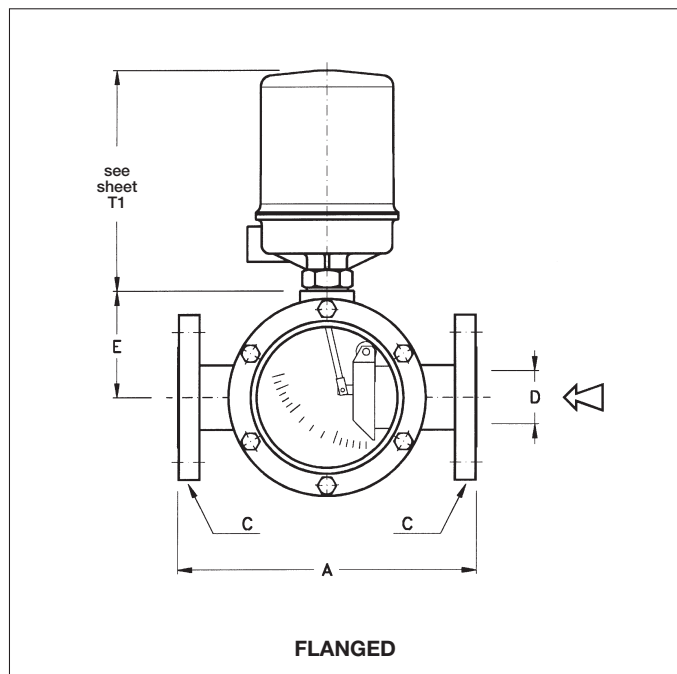


## TGO SERIES FLOW ALARM SWITCHES

Paddle type flow switch for liquids, with flow indicator, for max. or min. flow alarm, with a single switching unit, with output on SPDT switch.

### TECHNICAL DATA

- horizontal mounting
- single switching unit (on request, two SPDT switches with simultaneous action can be supplied)
- set point can be adjusted to between 10 ÷ 60% of max. flow rate (Q).
- fixed differential for each set point with value variable between 20 ÷ 50% of max. flow rate (Q)
- accuracy of flow indication:  $\pm 15\%$  of f.s
- calibrating liquid: water
- set point accuracy  $\pm 5\%$  of max. flow rate (Q)
- max. temperature 130°C
- max. pressure 10 Bar
- max. pressure drop 500 mm H<sub>2</sub>O
- gaskets in neoprene



MODEL	FLANGED				THREADED			E mm	Q max m <sup>3</sup> /h H <sub>2</sub> O
	A mm	D		WEIGHT <sup>(1)</sup> ~ KG	A mm	D	WEIGHT ~ KG		
		UNI	ANSI						
TGO 50	280	50	2"	15	340	2"	10	100	20
TGO 65	300	65	2 1/2"	19,5	370	2 1/2"	14	100	30
TGO 80	330	80	3"	27	400	3"	21	115	50
TGO 100	380	100	4"	34	-	-	-	130	100

Std. "C" connections: flange UNI PN 10/ANSI 150 RF - threaded GAS/NPT-F.  
On request, flanges with a higher rating can be supplied.



## MATERIALS

CODE FOR:	Materials	Carbon steel	AISI 304	AISI 316
	Body	A	I	J
	Paddle and leverage	-	-	2

on request, version in plastic (PVC - MOPLN - PVDF) can be supplied

## SWITCHES

Type	Mercury switch	Dry microswitch					Pneumatic switch*
Load rating	220 V a. c. 10 A 110 V d. c. 1,5 A	250 V a. c. 10 A 125 V d. c. 0,5 A	125 V d. c. 10 A	250 V a. c. 10 A 125 V d. c. 0,5 A waterproof	125 V a. c. 1 A 28 V d. c. 1 A waterproof with gold contacts	250 V a. c. 1A 24 V d.c. 3A sealed with inert gas	Output: 0 ÷ 40 psi max.
CODE	VD	M2	M3	M4	M6	M14	PNA (aluminium)

\*Air inlet and output connection 1/4" NPT-F - No bleed type

## ENCLOSURES

Type	Waterproof	Explosion-proof	The (WP) enclosures can be supplied whit gland or with a 3 or 7 pole connector as per MIL standards.  The (EP) enclosures can be supplied whit explosion-proof gland.  1) CESI certificate N. 02-ATEX-126
Material	Aluminium	Aluminium	
Electrical Connection	1/2" NPT-F/GAS 3/4" NPT-F/GAS ISO M20X1.5	1/2" UNI 6125/NPT-F 3/4" UNI 6125/NPT-F ISO M20X1.5	
Protection degree	IP 66	ATEX II 2 G Ex d IIC T6 o T5 Gb ATEX II 1/2 D Ex ta/tb IIIC T85° o T100° C Da/Db IP 66	
CODE	WP	EP	

## HOW TO ORDER

Example: TGO 50 - A - 2 - M2 - WP

TGO 50 model

A body in carbon steel

2 paddle and internal leverage in S/steel AISI 316

M2 dry microswitch 250 V a.c. - 10 A

WP waterproof enclosure

The following data are required: type of liquid, specific weight, viscosity, temperature, pressure, working flow rate and required set point.



**OFFICINE OROBICHE** srl

24010 Ponteranica (Bergamo) ITALY - via Serena, 10 - Tel. 0039.035.4530.211

www.officineorobiche.it e-mail: info@officineorobiche.it

Information subject to change without prior warning