

## VALVES FOR GLASS LEVEL GAUGES

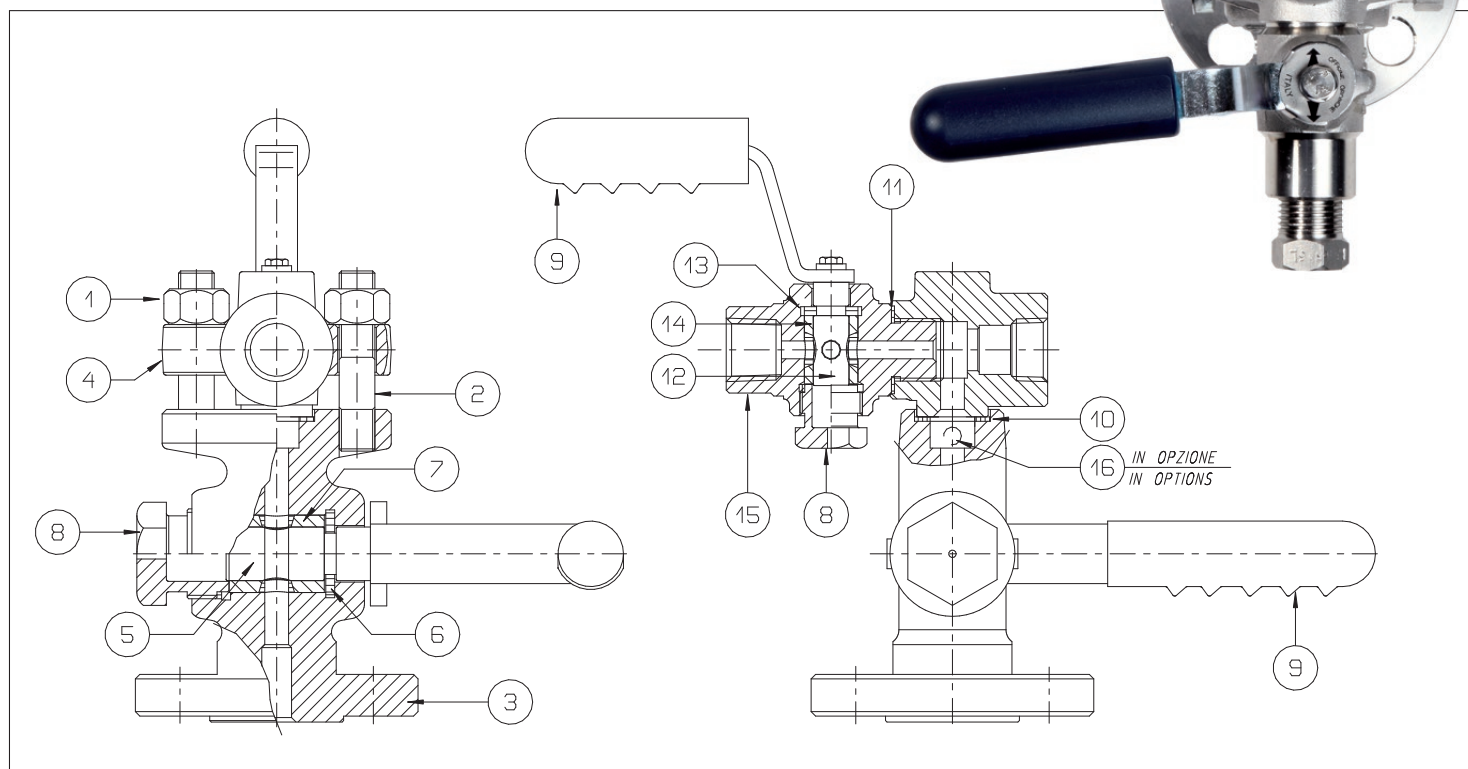
### VALVES TYPE NY (RATING PN100)

By-pass valves offset type **COCK** for REFLEX or TRANSPARENT level glass type, 90° operation permits immediate opening/closing. Simple design (only one moving part) ensures uninterrupted operation.

The packing sleeve, the only part subjected to wear, can be replaced within minutes with cock remaining in line

Valve bore 8mm for shut-off and bore 6mm for drain.

Temperature range -100°C to +400°C, in function of the type of material.



POS	DESCRIPTION	MATERIAL VALVE IN C.S.	MATERIAL VALVE IN LF2.	MATERIAL VALVE IN AISI 316
1	NUT	A194 2H	A194 8	A194 8
2	BOLT	A193 B7	A193 B8	A193 B8
3	BODY	A105 GALVANIZED	LF2 GALVANIZED	AISI 316
4	FLANGE	A105 GALVANIZED	LF2 GALVANIZED	AISI 316
5	MALE	AISI 316	AISI 316	AISI 316
6	RING	AISI 316	AISI 316	AISI 316
7	PACKING SLEEVE	GRAPHITE	GRAPHITE	GRAPHITE
8	PLUG	A105 GALVANIZED	AISI 316	AISI 316
9	HANDLE	C.S. GALVANIZED	C.S. GALVANIZED	C.S. GALVANIZED
10	GASKET SW	AISI316/GRAFITE	AISI316/GRAFITE	AISI316/GRAFITE
11	GASKET	COPPER	COPPER	AISI 316
12	PACKING SLEEVE	GRAPHITE	GRAPHITE	GRAPHITE
13	RING	AISI 316	AISI 316	AISI 316
14	PACKING SLEEVE	GRAPHITE	GRAPHITE	GRAPHITE
15	DRAIN/VENT VALVE	A105 GALVANIZED	LF2 GALVANIZED	AISI 316
16	SAFETY BALL	AISI 316	AISI 316	AISI 316

#### PROCESS CONNECTIONS

- UNI/DIN PN10/16 – PN25/40 with DN15 to DN50
- ANSI 150 to ANSI600 RF with ½” to 2”
- Threaded NPTM - GASM; Socket welding (SW)

#### OPTIONAL:

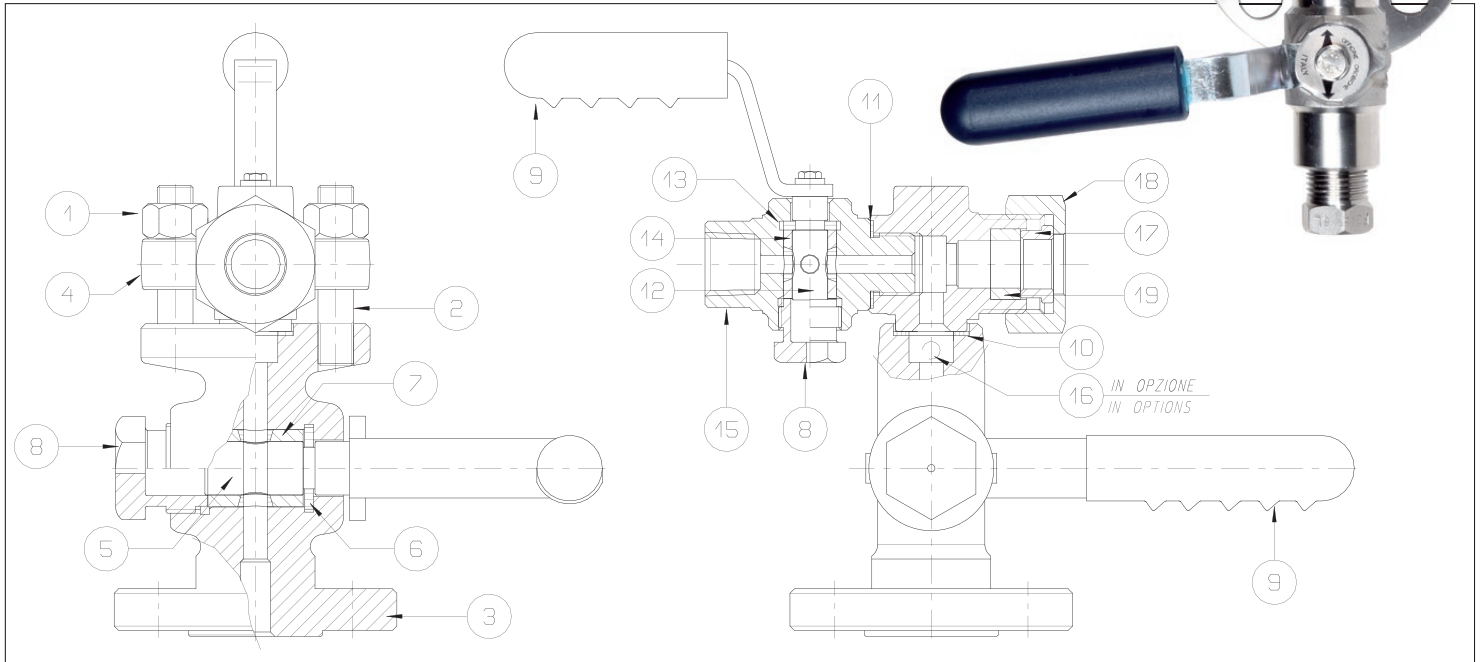
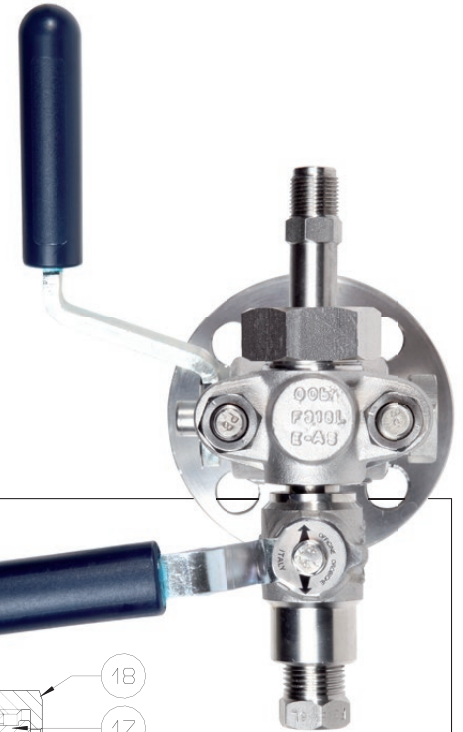
- PTFE Packing sleeve
- Safety ball (for breaking glass)

## VALVES TYPE NX (RATING PN40)

By-pass valves offset type **COCK** with stuffing box and smooth nipple, for orientation the glass with respect to connections, 90° operation permits immediate opening/closing, for REFLEX or TRANSPARENT level glass type. Simple design (only one moving part) ensures uninterrupted operation. The packing sleeve, the only part subjected to wear, can be replaced within minutes with cock remaining in line

Valve bore 8mm for shut-off and bore 6mm for drain.

Temperature range -100°C to +400°C, in function of the type of material.  
For Ø 16 mm end tubes.



POS	DESCRIPTION	MATERIAL VALVE IN C.S.	MATERIAL VALVE IN LF2.	MATERIAL VALVE IN AISI 316
1	NUT	A194 2H	A194 8	A194 8
2	BOLT	A193 B7	A193 B8	A193 B8
3	BODY	A105 GALVANIZED	LF2 GALVANIZED	AISI 316
4	FLANGE	A105 GALVANIZED	LF2 GALVANIZED	AISI 316
5	MALE	AISI 316	AISI 316	AISI 316
6	RING	AISI 316	AISI 316	AISI 316
7	PACKING SLEEVE	GRAPHITE	GRAPHITE	GRAPHITE
8	PLUG	A105 GALVANIZED	AISI 316	AISI 316
9	HANDLE	C.S. GALVANIZED	C.S. GALVANIZED	C.S. GALVANIZED
10	GASKET SW	AISI316/GRAFITE	AISI316/GRAFITE	AISI316/GRAFITE
11	GASKET	COPPER	COPPER	AISI 316
12	PACKING SLEEVE	GRAPHITE	GRAPHITE	GRAPHITE
13	RING	AISI 316	AISI 316	AISI 316
14	PACKING SLEEVE	GRAPHITE	GRAPHITE	GRAPHITE
15	DRAIN/VENT VALVE	A105 GALVANIZED	LF2 GALVANIZED	AISI 316
16	SAFETY BALL	AISI 316	AISI 316	AISI 316
17	COMPRES. SPACER	AISI 316	AISI 316	AISI 316
18	RING NUT	A105 GALVANIZED	LF2 GALVANIZED	AISI 316
19	GASKET	GRAPHITE	GRAPHITE	GRAPHITE

### PROCESS CONNECTIONS

- UNI/DIN PN10/16 – PN25/40 with DN15 to DN50
- ANSI 150 to ANSI600 RF with 1/2" to 2"
- Threaded NPTM - GASM; Socket welding (SW)

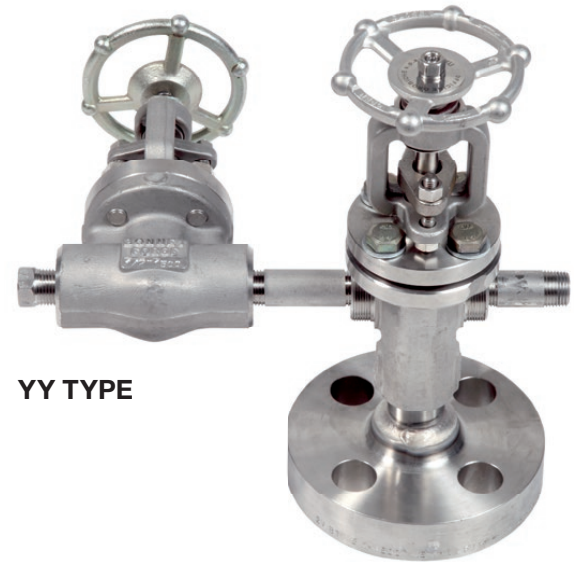
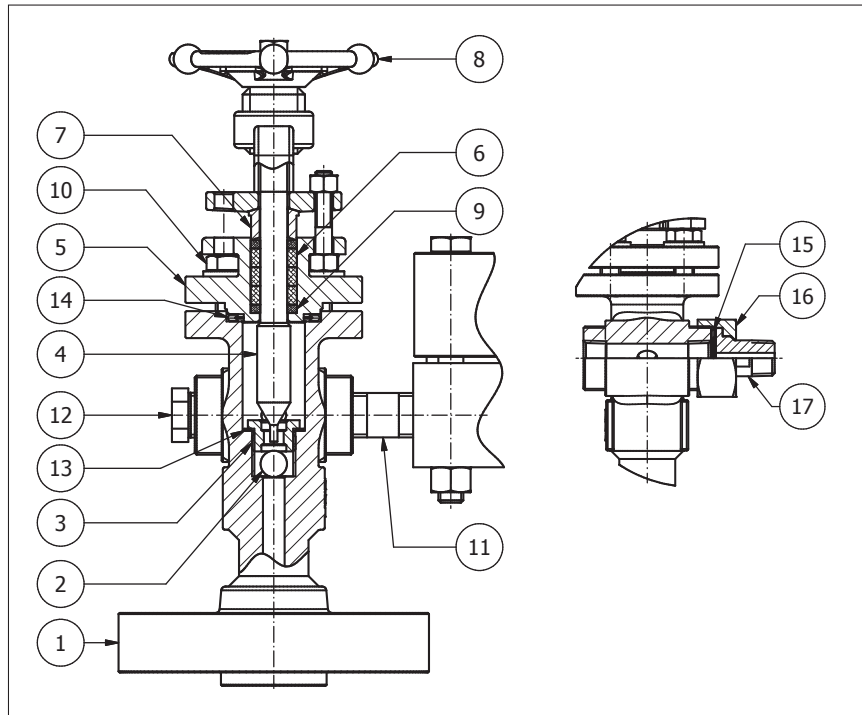
### OPTIONAL:

- PTFE Packing sleeve
- Safety ball (for breaking glass)

## VALVES TYPE YY / YX (RATING PN250)

Metal seated offset valve with integral safety ball. Outside screwed type.  
Graphite packing and gasket.  
Handwheel shut-off operation, drain and vent plugged.

Pressure rating PN 250 ANSI 1500



YY TYPE



YX TYPE

Other material on request

Level Gauges valves for Reflex or Transparent instruments

### PROCESS CONNECTION

- from DN25 to DN50 with PN100 or PN160
- from 1" to 2" with ANSI 900 - 1500 - 2500
- Threaded NPTM or Socket welding (SW)

### OPTIONAL:

- **Rotable version (YX)** with union nipple to gauge

POS	DESCRIPTION	MATERIAL VALVE IN C.S.	MATERIAL VALVE IN AISI 316
1	BODY FLG	A105	AISI 316
2	BALL CHECK	AISI 316	AISI 316
3	SEAT	AISI 316	AISI 316
4	STEM	AISI 316	AISI 316
5	BONNET	A105	AISI 316
6	GASKET	GRAPHITE	GRAPHITE
7	PACKING GLAND	C.S.	C.S.
8	HAND WHEEL	C.S.	C.S.
9	GASKET	AISI 316 / GRAPHITE	AISI 316 / GRAPHITE
10	BOLT	A193 B7	A193 B7
11	NIPPLE	A105	AISI 316
12	PLUG	A105	AISI 316
13	GASKET	AISI 316	AISI 316
14	GASKET	AISI 316 / GRAPHITE	AISI 316 / GRAPHITE
15	GASKET	AISI 316 / GRAPHITE	AISI 316 / GRAPHITE
16	UNION NUT	AISI 316	AISI 316
17	UNION NIPPLE	AISI 316	AISI 316