



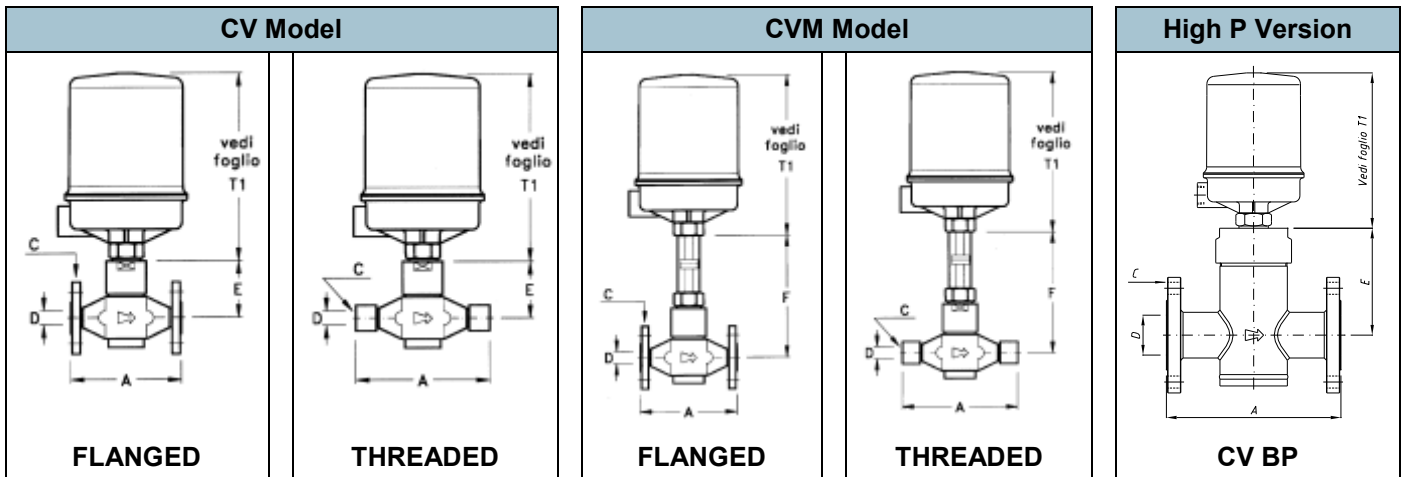
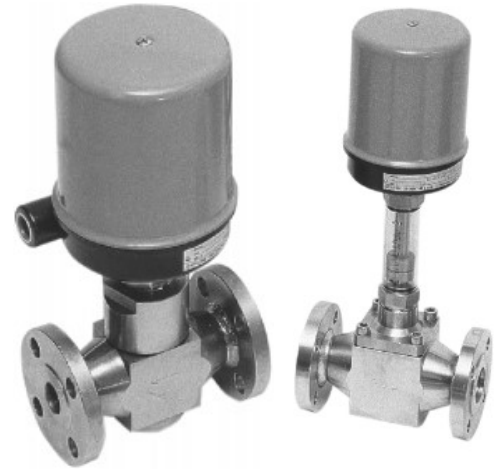
FLOW SWITCH CV Series

DESCRIPTION

Body valve flow switch for water, for max. or min. flow alarms, with a single switching unit, with output on SPDT switch.

TECHNICAL DATA

- horizontal mounting
- single switching unit (on request, two SPDT switches with simultaneous action can be supplied)
- Set point can be adjusted to between 20 ÷ 50% of max. flow rate (Q)
- Fixed differential max. 30% of max. flow rate (Q)
- Accuracy: $\pm 5\%$ of max. flow rate (Q)
- max. temperature 135°C
- max. pressure 10 Bar or 50 Bar with CV BP version
- max. pressure drop 4000 mm H₂O
- accuracy of flow indication $\pm 15\%$ of f.s. (only on mod. CVM)
- special versions for viscous fluids



MODEL	FLANGED				THREADED			E mm	F mm	Q max m ³ /h H ₂ O
	A mm	D		WEIGHT ⁽¹⁾ ~ kg	A mm	d	PESO ⁽¹⁾ ~ kg			
		UNI	ANSI							
CV 15 - CVM 15	130	15	1/2"	5,7	160	1/2"	4,5	75	185	1
CV 20 - CVM 20	150	20	3/4"	7,7	180	3/4"	6	75	185	2
CV 25 - CVM 25	160	25	1"	9,1	200	1"	7	75	200	3
CV 32 - CVM 32	180	32	1	8,9	230	1 1/4"	7,5	85	210	4
CV 40 - CVM 40	200	40	1	11,3	260	1 1/2"	8,5	85	205	5
CV 50 - CVM 50	230	50	2"	15,5	290	2"	10,5	95	235	10

(1) Refers to CV Model

Std. "C" connections: flange UNI PN 10/ANSI 150 RF - threaded GAS/NPT-F.
On request, flanges with a higher rating can be supplied.

MATERIALS

CODE FOR:	Materials	Carbon Steel	AISI 316
	Body	A	J
	Float	-	2

On request, version in plastic (pvc - moplen - pvdf) can be supplied

SWITCHES

Type	Mercury switch	Dry microswitch					Pneumatic
Load rating	220 V a. c. 10 A 110 V d. c. 1,5 A	250 V a. c. 10 A 125 V d. c. 0,5 A	125 V d. c. 10 A	250 V a. c. 10 A 125 V d. c. 0,5 A stagno	125 V a. c. 1 A 28 V d. c. 1 A stagno con contatti dorati	250 V a. c. 1A 24 V d.c. 3A sigil. in gas inerte	uscita: 0 ÷ 40 psi max.
CODE	VD	M2	M3	M4	M6	M14	PNA

*Air inlet and output connection 1/4" NPT-F - No bleed type

ENCLOSURES

Type	Waterproof	Explosion-proof	<p>The (WP) enclosures can be supplied whit gland or with a 3 or 7 pole connector as per MIL standards.</p> <p>The (EP) enclosures can be supplied whit explosion-proof gland.</p> <p>1) CESI certificate N. 02-ATEX-126</p>
Material	Alluminium	Alluminium	
Electric Connection	1/2" NPT-F/ GAS 3/4" NPT-F/ GAS ISO M20X1.5	1/2" UNI 6125/NPT-F 3/4" UNI 6125/NPT-F ISO M20X1.5	
Protection Degree	IP 66	ATEX II 2 G Ex d IIC T6 o T5 Gb ATEX II 1/2 D Ex ta/tb IIIC T85° o T100° C Da/Db IP 66	
CODE	WP	EP	

HOW TO ORDER

Example: CV25 - A - 2 - M2 - WP

- CV25 Model
- A Body in carbon steel
- 2 Float in Stainless Steel AISI 316
- M2 Dry microswitch 250 V c.a. - 10 A
- WP Waterproof Enclosure

The following data are required: temperature, pressure, working flow rate and required set point.