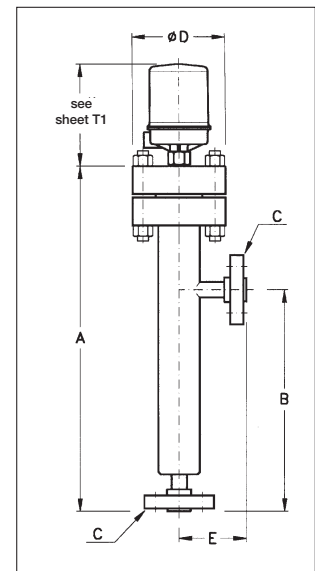
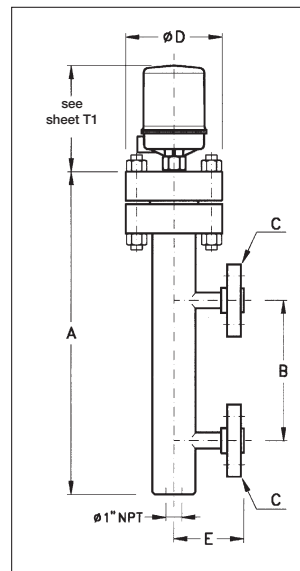
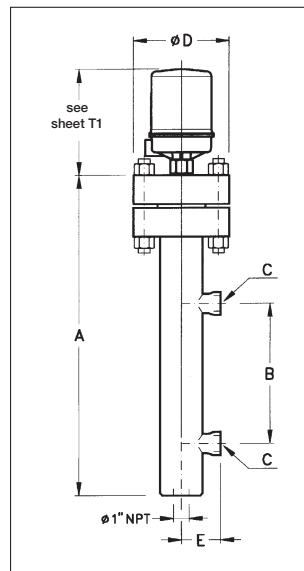
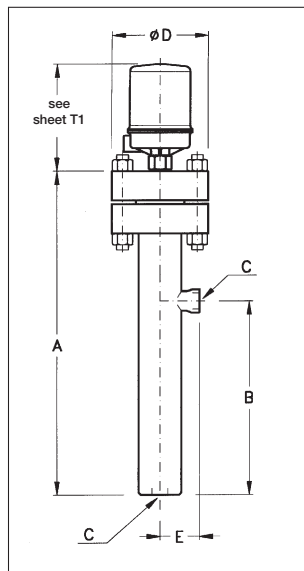
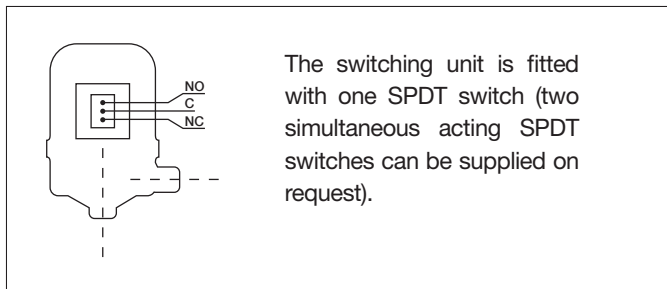
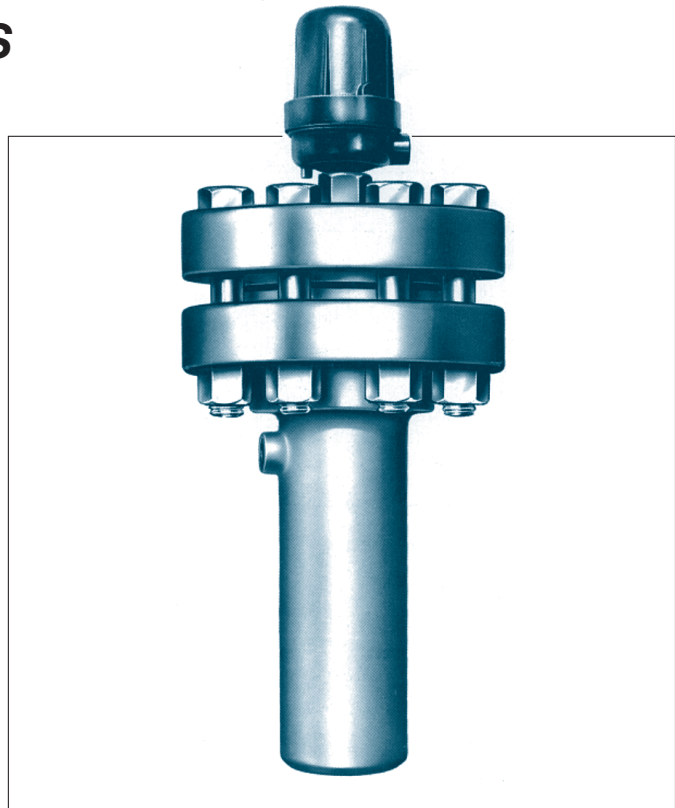


7000 SERIES LEVEL SWITCHES

Buoyancy level switch for external side mounting with a single switching unit. For pressure from 100 Bar to 400 Bar, for temperatures up to 135°C max. and for fluid with a specific gravity of 0.55 kg/dm³ min.

Inspectable body. Minimum differential of switch, at SP.GR. 1 kg/dm³, 75 mm. This means that if the change-over takes place by increased (or decreased) contact level, the following change-over will take place when the level falls (or rises) by 75 mm. Set point accuracy: ± 7 mm.



NOTE. The set points are supplied on request, since these change according to the specific gravity and working conditions.

Standard "C" connections: Threading 1" NPT-F; Flange UNI PNDN 25/1" ANSI.....RF; 1" S.W.
On request, non-standard threads and flanges can be supplied.

On request, special versions can be supplied for working at temperatures below -10°C and over 135°C.

CONNECTIONS	THREADED					FLANGED				
POSITION	B CONNECTIONS DISTANCE mm	A mm	D mm	E mm	WEIGHT ~ Kg	B CONNECTIONS DISTANCE mm	A mm	D mm	E mm	WEIGHT ~ Kg
SIDE/BOTTOM	400	630	165	82	26	480	710	165	145	30
SIDE/SIDE	178	515	165	82	24	178	515	165	145	28
SIDE/SIDE	292	630	165	82	26	292	630	165	145	30
SIDE/SIDE	330	670	165	82	27	330	670	165	145	31
SIDE/SIDE	356	695	165	82	27	356	695	165	145	31

7100 Series

CONNECTIONS	THREADED					FLANGED				
POSITION	B CONNECTIONS DISTANCE mm	A mm	D mm	E mm	WEIGHT ~ Kg	B CONNECTIONS DISTANCE mm	A mm	D mm	E mm	WEIGHT ~ Kg
SIDE/BOTTOM	400	635	170	82	31	480	715	170	145	35
SIDE/SIDE	292	635	170	82	31	292	635	170	145	35
SIDE/SIDE	330	675	170	82	32	330	675	170	145	36
SIDE/SIDE	350	700	170	82	32	356	700	170	145	36

7150 Series

CONNECTIONS	THREADED					FLANGED				
POSITION	B CONNECTIONS DISTANCE mm	A mm	D mm	E mm	WEIGHT ~ Kg	B CONNECTIONS DISTANCE mm	A mm	D mm	E mm	WEIGHT ~ Kg
SIDE/BOTTOM	400	665	200	82	55	480	745	200	145	57
SIDE/SIDE	292	665	200	82	55	292	665	200	145	57
SIDE/SIDE	330	705	200	82	56	330	705	200	145	58
SIDE/SIDE	356	730	200	82	56	356	730	200	145	58

7250 Series

CONNECTIONS	THREADED					FLANGED				
POSITION	B CONNECTIONS DISTANCE mm	A mm	D mm	E mm	WEIGHT ~ Kg	B CONNECTIONS DISTANCE mm	A mm	D mm	E mm	WEIGHT ~ Kg
SIDE/BOTTOM	400	675	185	100	80	480	755	200	156	83
SIDE/SIDE	292	710	185	100	81	292	710	200	156	84
SIDE/SIDE	330	745	185	100	83	330	745	200	156	86
SIDE/SIDE	356	770	185	100	83	356	770	200	156	87

7400 Series



WORKING CONDITIONS

MODEL		7100			7150			7250			7400		
STD "C" FLANGE		1" ANSI 600 RF			1" ANSI 900 RJ			1" ANSI 1500 RJ			1" ANSI 2500 RJ		
VERSION		A	I	J	A	I	J	A	I	J	A	I	J
Temperatures	38° C	104	101	101	156	151	151	260	253	253	439	422	422
	100° C	95	84	87	142	126	130	237	211	217	395	351	362
	135° C	93	79	83	140	119	124	234	198	207	390	330	345
BODY RATING		ANSI 600			ANSI 900			ANSI 1500			ANSI 2500		

Max pressure in bar

MATERIALS

CODE FOR	Materials	Carbon steel	AISI 304	AISI 316
	Body	A	I	J
	displacer	-	-	2

SWITCHES

Type	Mercury switch	Dry microswitch					Pneumatic switch*
Load rating	220 V a. c. 10 A 110 V d. c. 1,5 A	250 V a. c. 10 A 125 V d. c. 0,5 A	125 V d. c. 10 A	250 V a. c. 10 A 110 V d. c. 0,5 A waterproof	125 V a. c. 1 A 28 V d. c. 1 A waterproof with gold contacts	250 V a. c. 1A 24 V d. c. 5A sealed with inert gas	Output: 0 ÷ 40 psi max.
CODE	VD	M2	M3	M4	M6	M14	PNA (aluminium)

*Air inlet and output connection 1/4" NPT-F - No bleed type

ENCLOSURES

Type	Waterproof	Explosion-proof	The (WP) enclosures can be supplied whit gland or with a 3 or 7 pole connector as per MIL stand-ards. The (EP) enclosures can be supplied whit explosion-proof gland. 1) CESI certificate N. 02-ATEX-126.
Material	Aluminium	Aluminium	
Electrical Connection	1/2" NPT-F 3/4" NPT-F ISO M20x1.5	1/2" UNI 6125/NPT-F 3/4" UNI 6125/NPT-F ISO M20x1.5	
Protection degree	IP 66	ATEX II 2 G Ex d IIC T6 o T5 Gb ATEX II 1/2 D Ex ta/tb IIIC T85° o T100° C Da/Db IP 66	
CODE	WP	EP	

HOW TO ORDER

Example: 7100 - A - 2 - M2 - WP

7100 model
A body in carbon steel
2 displacer in S/steel AISI 316
M2 dry micro. 250 V a.c. - 10 A
WP waterproof enclosure

The following data are required: type of fluid, specific gravity, operating temperature and pressure.

