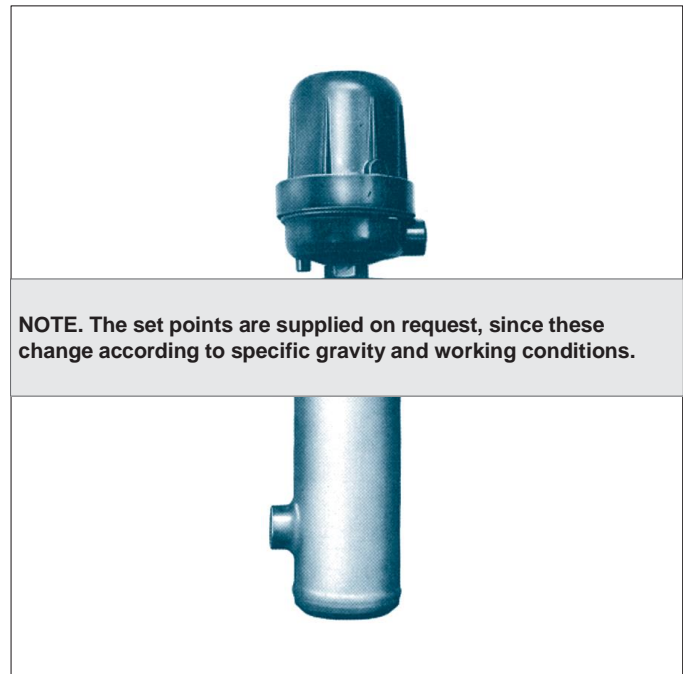
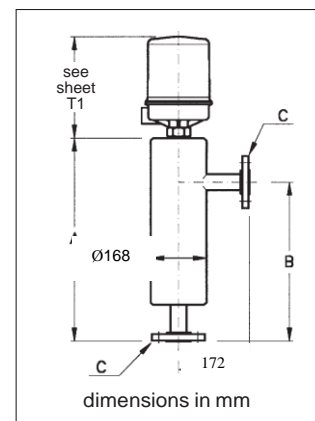
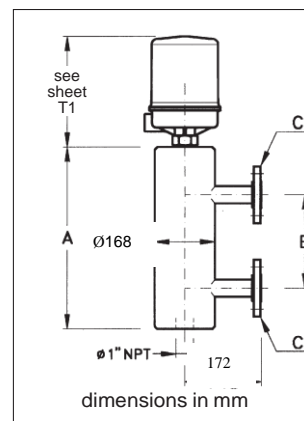
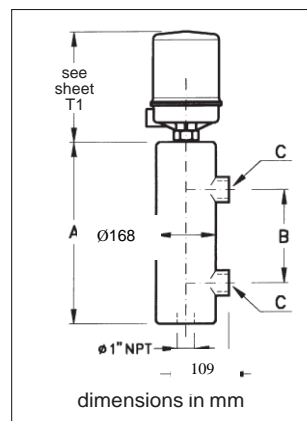
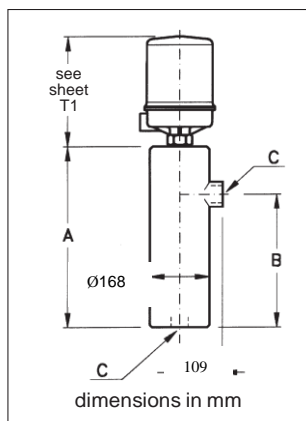
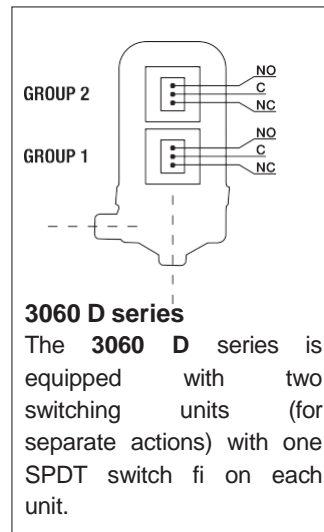
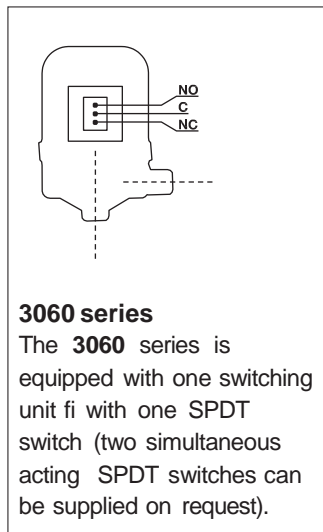


## 3060 SERIES LEVEL SWITCHES

One-float level switch with non-inspectable body for external side mounting with one or two switching units. For pressure up to 50 Bar, for temperatures up to 400°C max. and for fluids with a low specific gravity down to 0.35 kg/dm<sup>3</sup>. These instruments are suitable for interface service LIQ / LIQ. Minimum differential of each switch with SP.GR. of 1 kg/dm<sup>3</sup>, 20 mm. Set point accuracy: ± 5 mm.



**NOTE.** The set points are supplied on request, since these change according to specific gravity and working conditions.



CONNECTIONS	THREADED			FLANGED		
	B CONNECTIONS DISTANCE mm	A mm	WEIGHT ~ kg	B CONNECTIONS DISTANCE mm	A mm	WEIGHT ~ kg
SIDE/BOTTOM	255	360	22	330	425	25
SIDE/SIDE	178	360	22	178	360	25
SIDE/SIDE	292	475	24	292	475	27
SIDE/SIDE	330	515	25	330	515	28
SIDE/SIDE	356	540	24	356	540	29

Standard "C" connections: Threading 1" NPT-F; Flange UNI PN ....DN 25/1" ANSI.....RF; 1" S.W.

On request, non-standard threads and flanges can be supplied.

For temperatures exceeding 135°C or below -10°C, fins with the "R" code are fitted on all versions; temps. of 135-250°C, R1; 250-400°C, R4; -10 to 80°C, R3.

## WORKING CONDITIONS

MODEL		3062			3064			3066		
STD "C" FLANGE		1" ANSI 150 RF UNI DN 25 PN 16			1" ANSI 300 RF UNI DN 25 PN 40			1" ANSI 600 RF UNI DN 25 PN 64		
VERSION		A	I	J	A	I	J	A	I	J
Temperatures	100° C	17	15	16	35	30	31	46	40	42
	150° C	15	13	14	34	27	29	45	36	38
	200° C	13	12	13	33	25	27	43	32	35
	250° C	11	11	11	32	23	25	41	30	33
	300° C	10	10	10	29	22	24	38	28	31
	350° C	8	8	8	28	21	23	36	28	30
	400° C	6	6	6	27	21	22	34	27	29
BODY RATING		ANSI 150			PN 40			ANSI 300		

Max pressure in bar

## MATERIALS

CODE FOR:	Materials	Carbon steel	AISI 304	AISI 316
	Body	A	I	J
	Float	-	-	2

On request, versions in plastic (PVC - MOPlEN - PVDF) can be supplied.

## SWITCHES

Type	Mercury switch	Dry microswitch					Pneumatic switch*
Load rating	220 V a. c. 10 A 110 V d. c. 1,5 A	250 V a. c. 10 A 125 V d. c. 0,5 A	125 V d. c. 10 A	250 V a. c. 10 A 125 V d. c. 0,5 A waterproof	125 V a. c. 1 A 28 V d. c. 1 A waterproof with gold contacts	250 V a. a. 1A 24 V d.c. 3A sealed with inert gas	Output: 0 ÷ 40 psi max.
CODE	VD	M2	M3	M4	M6	M14	PNA (aluminium)

\*Air inlet and output connection 1/4" NPT-F - No bleed type

## ENCLOSURES

Type	Waterproof	Explosion-proof	The (WP) enclosures can be supplied whit gland or with a 3 or 7 pole connector as per MII standards.  The (eP) enclosures can be supplied whit explosion-proof gland.  1) CeSI certifi N. 02-ATeX-126
Material	Aluminium	Aluminium	
Electrical Connection	1/2" NPT-F/GAS 3/4" NPT-F/GAS ISO M20X1.5	1/2" UNI 6125/NPT-F 3/4" UNI 6125/NPT-F ISO M20X1.5	
Protection degree	IP 66	ATEX II 2 G Ex d IIC T6 o T5 Gb ATEX II 1/2 D Ex ta/tb IIIC T85° o T100° C Da/Db IP 66	
CODE	WP	EP	

## HOW TO ORDER

example: 3062 - A - 2 - M2 - WP

- 3062 model
- A body in carbon steel
- 2 float in S/steel AISI 316
- M2 dry microswitch 250 v a.c. - 10 A
- WP waterproof enclosure
- R1 coolings fins (t 200° C); optional

The following data are required: type of fluid, specific gravity, operating temperature and pressure.