

## TMN250 SERIES - METALLIC FLOWMETERS FOR LIQUIDS

### TECHNICAL FEATURES

- Measuring tube in AISI 316
- Float and wetted parts in AISI 316
- Magnetic of reading transmission
- Aluminium housing IP 66
- Vertical mounting with rising flow
- Measuring range: 1/10 - scale ~ 100 mm.
- Accuracy:  $\pm 1,5\%$  full scale value
- Connections: flanged ANSI 150 RF - UNI PN 16  
threaded DIN 11851 (for food industry)  
threaded GAS-F / NPT-F  
TRI-CLAMP

### OPERATING CONDITIONS

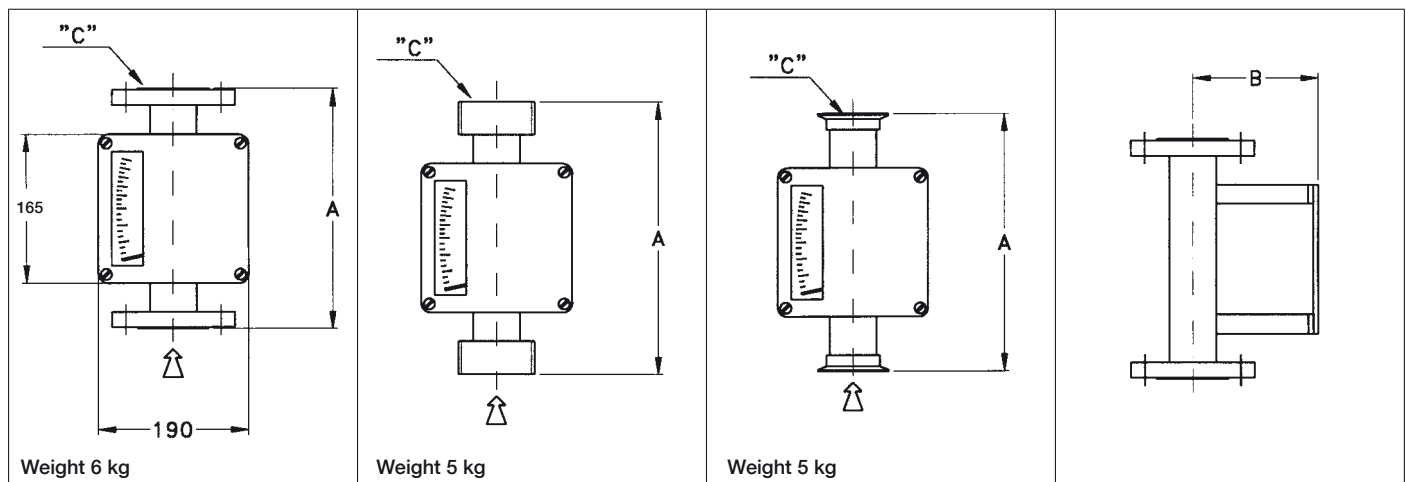
- Max pressure 40 Bar
- Max temperature 180°C

### OPTIONS - ACCESSORIES

- Wetted parts in PTFE
- Version for high pressure and temperature
- Electronic transmitter 4-20 mA
- Intrinsically safety transmitter EEx ia IIC T6, 4-20 mA
- Min and/or max. contact SPDT, type Reed (30V dc/ac; 0,1A)
- Min and/or max. contact SPDT, of inductive bistable type
- Electrical connection PG 11
- Heating jacket for flanged version (connections 1/2 NPT-F)



- Housing in AISI 316
- Housing with electrical protection ATEX II 2 GD Exd IIC T6
- Standard power supply or EEx ia IIC T6 (110V ac / 220V ac)



### DIMENSIONS SCHEDULE

DN BODY	B (mm)	FLANGED				TRI - CLAMP		DIN (FOR FOOD INDUSTRY)	
		A (mm)		C		A (mm)	C ø connection (mm)	A (mm)	C ø connection (mm)
		STD	PTFE	ANSI	UNI				
1/2"	125	250	250	1/2"	15	250	50,4	265	52 x 1/6
1"	130	250	250	1"	25	250	50,4	265	65 x 1/6
2"	150	250	270	2"	50	250	90,9	265	95 x 1/6
3"	160	250	270	3"	80	250	118,9	275	130 x 1/4
4"	180	250	270	4**	100*	-	-	-	-

\* 5" or DN 125 with heating jacket

The threaded connection GAS and NPT have the same DN of the body.

**SCHEDULE FOR WATER FLOW RANGE (graduation l/h)**

DN BODY	CODE	FLOW RANGE sg= 1 cps= 1	PD max mbar
1/2"	A01	2,5 - 25	130
1/2"	A02	4 - 40	130
1/2"	A03	6,3 - 63	130
1/2"	A04	10 - 100	140
1/2"	A05	16 - 160	150
1/2"	A06	25 - 250	170
1/2"	A07	40 - 400	160
1/2"	A08	63 - 630	190
1"	A09	100 - 1.000	90
1"	A10	160 - 1.600	90
1"	A11	250 - 2.500	120
1"	A12	400 - 4.000	150
2"	A13	630 - 6.300	190
2"	A14	1.000 - 10.000	210
2"	A15	1.600 - 16.000	230
2"	A16	2.500 - 25.000	300
3"	A17	4.000 - 40.000	230
4"	A18	6.300 - 63.000	240

**SCHEDULE FOR WATER FLOW RANGE, EXEC. PTFE  
(graduation l/h)**

DN BODY	CODE	FLOW RANGE sg= 1 cps= 1	PD max mbar
1/2"	B01	1,6 - 16	130
1/2"	B02	2,5 - 25	130
1/2"	B03	4 - 40	130
1/2"	B04	6,3 - 63	140
1/2"	B05	10 - 100	150
1/2"	B06	16 - 160	170
1/2"	B07	25 - 250	160
1/2"	B08	40 - 400	190
1"	B09	63 - 630	90
1"	B10	100 - 1.000	90
1"	B11	160 - 1.600	120
1"	B12	250 - 2.500	150
2"	B13	400 - 4.000	190
2"	B14	630 - 6.300	210
2"	B15	1.000 - 10.000	230
2"	B16	1.600 - 16.000	300
3"	B17	2.500 - 25.000	230
4"	B18	4.000 - 40.000	240

**HOW TO ORDER**

Example: TMN250 - A - 15 - A09 - T0 - XX

TMN250 model

A connections ANSI  
 U connections UNI  
 D DIN connections for food industry  
 T Tri-Clamp connections  
 G Threaded GAS-F  
 N Threaded NPT-F

15 dn 15 or 1/2"  
 25 dn 25 or 1"  
 50 dn 50 or 2"  
 80 dn 80 or 3"  
 100 dn 100 or 4"  
 125 dn 125 or 5"

A09 flow range 100 - 1000 l/h of H<sub>2</sub>O

T0 without transmitter and alarm contacts  
 T1 Std. transmitter 4-20 mA  
 T2 Transmitter EExi  
 T3 Transmitter Hart®  
 T4 Transmitter Hart® EExi  
 C1 n° 1 contact Reed type  
 C2 n° 2 contact Reed type  
 C3 n° 1 inductive bistable contact  
 C4 n° 2 inductive bistable contacts  
 XX speciality to be described separately  
 (ex. housing in inox)

In case of fluid different from water please specify the type of fluid precising: specific gravity, viscosity, temperature, pressure, at the operating conditions.