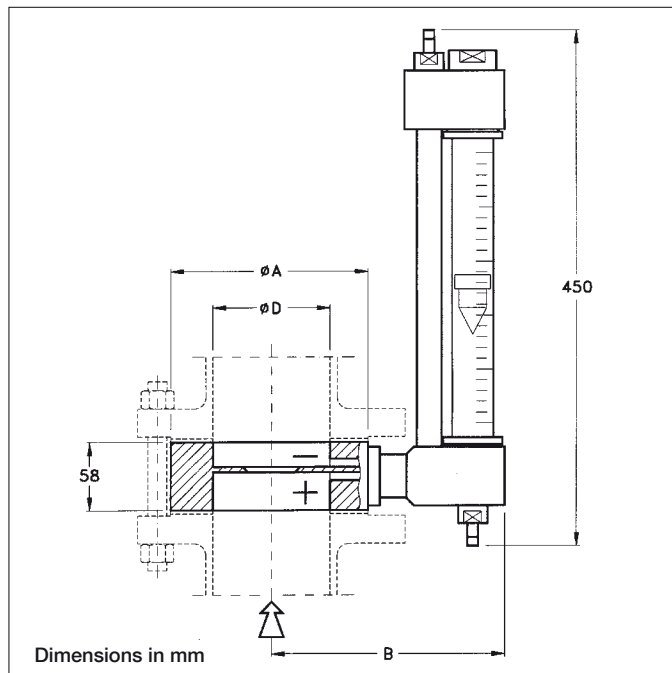
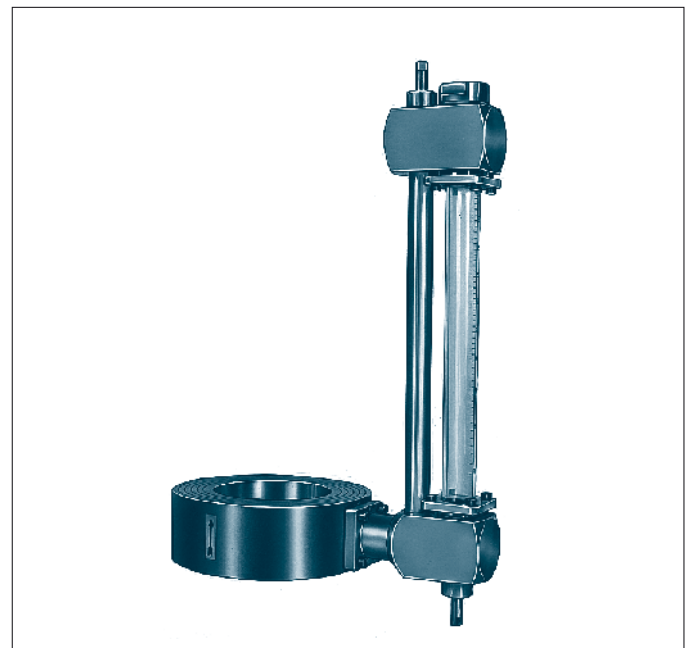


RV SERIES FLOWMETERS

Calibrated flange-type orifice plate flowmeters with offtake flowmeter for large and very large flows.

APPLICATIONS

Flowmeters can be used in the following industries: chemical and petrochemical, pulp and paper, food and sugar, pharmaceutical, glass, textile, mining, metallurgical and galvanizing industry. The instruments can also be used by manufacturers of water treatment plants, wine, thermal, hospital and anti-pollution plants.



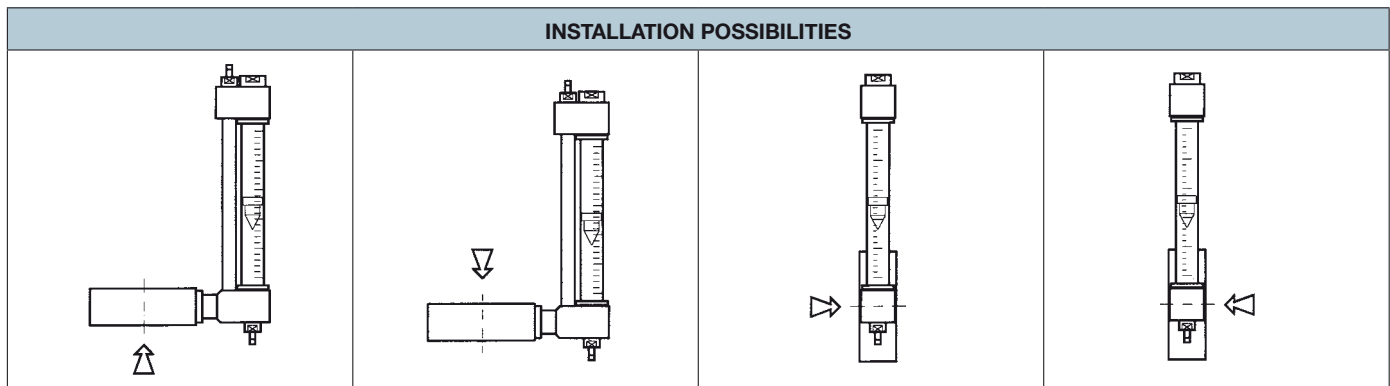
TECHNICAL DATA

- Accuracy: $\pm 3\%$ f.s.
- Max. pressure 10 Bar for the metallic version and 4 Bar for the plastic.
- Max. working temperature: 130°C. On request, versions can be made for use in temps. up to 200°C.
- Length of reading scale: about 230 mm.
- Measuring range: 1÷10
- Free float
- The measuring tube is made of perfectly calibrated boron-silicate glass and therefore easily replaced by the user without needing to change the float.
- Complete with two by-pass valves for shutting-off measuring tube.
- Pressure drop 2000 mm H₂O of water flow.
- Pressure drop 800 mm H₂O of air flow

MODEL	A (1)	B	D	Std. flow of f.s.			Weight in kg	
	UNI/ANSI	UNI/ANSI	std. internal diameter	Q min H ₂ O ("m" 0,6 ~) m ³ /h	Q max H ₂ O ("m" 0,6 ~) m ³ /h	Q air ("m" 0,3 ~) Nm ³ /h	Metallic structure	Plastic structure
RV 32	82 (2)	149	35	3	10	50-80	6	2,5
RV 40	83	150	41	5	15	100-150	6,5	2,5
RV 50	102	161	52,5	8	30	150-200	7	2,5
RV 65	121	171	62,5	14	45	300-400	8	3
RV 80	134	178	78	15	60	400-500	9	3
RV 100	162	193	102	25	120	600-800	10	3,5
RV 125	192	209	128	40	200	1000-1500	12	4,5
RV 150	218	222	154	60	250	1500-2000	13,5	5
RV 200	273	250	203	100	500	-	17,5	5,5
RV 250	328	278	254,5	180	800	-	20,5	6
RV 300	375	302	303	250	1000	-	23	7
RV 350	438	334	333,3	300	1200	-	32	8,5

1) Suitable for insertion in flanges UNI PN 10 - ANSI 150 RF / 2) suitable only for UNI flanges

RV Model	32	40	50	65	80	100	125	150	200	250	300	350	
Available full scale value, for H ₂ O in m ³ /h, for the selected model	3	5	8	14	18	25	40	60	100	180	250	300	
	5	6	10	15	20	30	45	70	120	200	300	350	
	6	7	12	18	25	35	50	75	130	250	350	400	
	7	8	14	20	30	40	55	80	150	300	400	500	
	8	10	15	25	35	45	60	90	160	350	500	600	
	10	12	18	30	40	50	70	100	180	400	600	700	
		14	20	35	45	55	75	120	200	500	700	800	
		15	25	40	50	60	80	130	250	600	800	1000	
		-	30	45	55	70	90	150	300	700	900	1200	
		-	-	-	-	60	75	100	160	350	800	1000	-
		-	-	-	-	-	80	120	180	400	-	-	-
		-	-	-	-	-	90	130	200	500	-	-	-
		-	-	-	-	-	100	150	250	-	-	-	-
		-	-	-	-	-	120	200	-	-	-	-	-



TOLERANCE LIMITS OF FLOWMETERS PLASTIC WITH STRUCTURE

MATERIALS	PVC	from 0° C to + 60° C; pressure 4 bar at 25° C; 2,5 bar at 35° C; 0,5 bar at 60° C
	MOPLEN	from 0° C to + 80° C; pressure 4 bar at 25° C; 2,5 bar at 45° C; 0,5 bar at 80° C
	PVDF	from -10° C to + 135° C; pressure 4 bar at 20° C; 2,5 bar at 65° C; 0,5 bar at 135° C

MATERIALS

CODE FOR:	Materials	Carbon steel	AISI 304	AISI 316	PVC	MOPLEN	PVDF
	Body	A	I	J	P	M	PF
	Orifice	/	-	J (1)	/	/	/
	Float	/	/	J (1) (2)	/	/	/
	Gaskets	Neoprene (N) Viton (V)					

1) For plastic version: Hastelloy C (H). 2) For air flow: aluminium (AL)

HOW TO ORDER

Example: RV 50 - I - J - J - N

RV 50 model

- I body in S/steel AISI 304
- J orifice in S/steel AISI 316
- J float in S/steel AISI 316
- N Neoprene gaskets

When ordering, specify type of flange connection into which the instrument is inserted (UNI-ANSI), and the internal diameter of the pipe if non-standard. Where there are fluids other than water, the following data is required: type of fluid, specific gravity, viscosity, temperature, and pressure under operating conditions.

ACCESSORIES

- Min. / Max. flow alarms by inductive proximity transducers (and power supply of 220 V - 110 V - 24 V/50 Hz) with output on SPDT 5 A, 220 VAC switches.
- Protection in transparent plastic material.