

FTV SERIES - FLOWMETERS

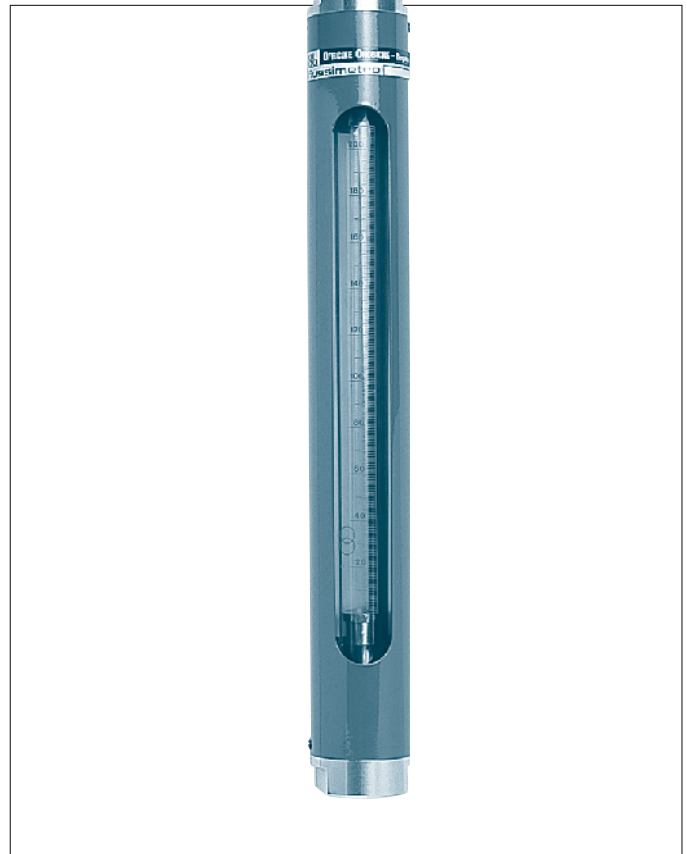
Variable area flowmeter with borosilicate glass tube, for high and low ranges of liquids and gases.

APPLICATIONS

Chemical, petrochemical, paper, sacchariferous, food, pharmaceutical, medical, glass manufacture, textile, extractive, mining, iron and galvanic industries, water treatment plant, oenological, thermotechnical and ecological plants.

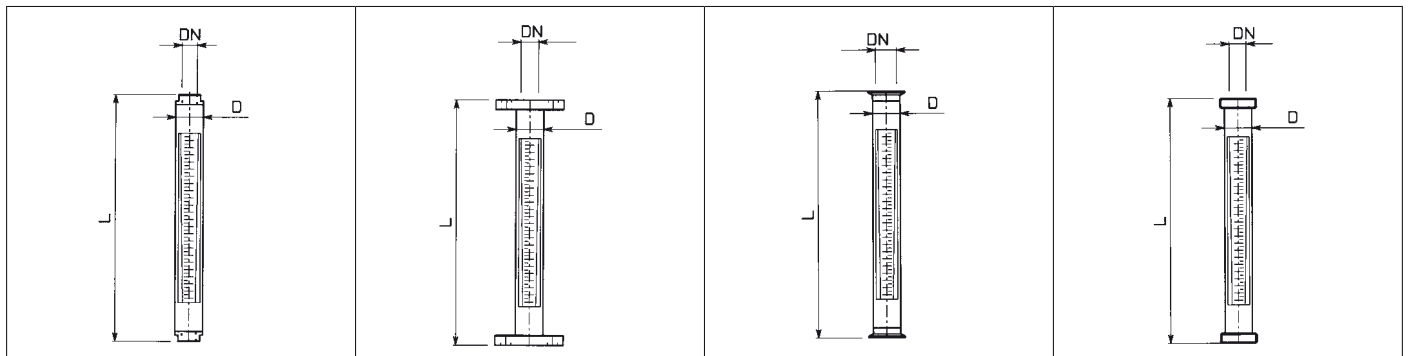
TECHNICAL FEATURES

- Accuracy: $\pm 2\%$ full scale value (3% with spherical float)
- Max temperature 120° C (higher temperatures on request)
- Length of reading scale:
 - 220 mm for mod. 210 - 215 - 225
 - 150 mm for mod. 240 - 250
- Measuring range 1 ÷ 10
- Free or guided float
- Vertical mounting with rising flow
- Strong structure in painted carbon steel
- Wetted parts in carbon steel - AISI 316 - PVDF (other material on request)
- Borosilicate glass measuring tube; length 300 mm
- Gaskets in Viton (other materials on request)
- Float stop in in PTFE
- Connections:
 - flanged ANSI 150 - 300 RF/UNI PN 10-16 2223/29
 - threaded DIN 11851 (food)
 - threaded GAS-F/NPT-F
 - Tri-Clamp



OPTIONS-ACCESSORIES

- Guided float
- Plexiglass protection
- Housing in AISI
- Special scale
- Float in special material
- Double window
- Self-regulating for flows in input or output for gas
 - 1/4" up to 3 Nmc/h
 - 1/2" up to 20 Nmc/h
- Self-regulator in output (RU), is used with variable pressure in output and constant in input (this last value has to be used in the calculation).
- Min. and/or max alarm (inductive type)
- Special float for low pressure drops



CONNECTIONS		THREADED		FLANGED			TRI-CLAMP		THREADED	
MODEL	D (mm)	DN	L (mm)	DN		L (mm)	DN (mm)	L (mm)	DN	L (mm)
				UNI	ANSI					
FTV 210	38	1/2"	344	15	1/2"	344	50,4	344	20	344
FTV 215	38	1/2"	344	15	1/2"	344	50,4	344	20	344
FTV 225	55	1"	348	25	1"	348	50,4	348	25	376
FTV 240	70	1 1/2"	370	40	1 1/2"	370	50,4	370	40	386
FTV 250	90	2"	380	50	2"	380	63,9	380	50	386

SCHEDULE FOR FLOWS WITH SPHERICAL FLOAT

MOD.	max Press. (bar)	FLOAT. MAT.	H ₂ O F.S. (l/h)	FLOAT. MAT.	AIR F.S. (NI/min.)	PD (mbar)
FTV 210	10	VN	1	VN	0,8	5
	10	VN	3	VN	1,3	5
	10	MD	4 (1)	MD	2,2 (1)	5
	10	VN	4	VN	2,5	5
	10	MD	6	VN	3	5
	10	VN	10	MD	3,5	5
	10	MD	12 (1)	MD	6 (1)	5
	10	VN	12,6	VN	7	5
	10	MD	16	MD	10	5
	10	MD	30	VN	10	5
	10	VN	32	MD	16	5
	10	MD	40	MD	22	5

The alarm contact are applicable only on the flowmeters with float in "MD", excluded scales with note (1)

Flowrange H₂O at 20° C; Flowrange of AIR at 20° C - 1 bar

VN = Black Glass; MD = Hard Metal

SCHEDULE FOR FLOW WITH CONICAL FLOAT

MOD.	Max Press (bar)	H ₂ O Float SS316 F.S. (l/h)	PD (mbar)	H ₂ O Float PVDF F.S. (l/h)	PD (mbar)	AIR Float SS316 F.S. (Nm ³ /h)	PD (mbar)	AIR Float AL ⁽¹⁾ F.S. (Nm ³ /h)	PD (mbar)	AIR Float DISC ⁽²⁾ F.S. (Nm ³ /h)	PD (mbar)
FTV 215	12	40*	10	-	-	-	-	-	-	-	-
FTV 215	12	63*	11	-	-	-	-	1	5	-	-
FTV 215	12	100	12	63	6	3	12	1,6	6	1,2	2
FTV 215	12	160	18	100	9	5	18	2,5	7	1,6	3
FTV 215	12	250	20	160	10	8	20	4	8	2,5	3
FTV 215	12	400	26	250	13	12	26	6,3	9	4	3
FTV 215	12	630	30	400	15	20	30	10	11	6	3
FTV 225	12	630	28	400	14	20	28	10	10	6,3	4
FTV 225	12	1.000	40	630	20	30	40	16	12	10	4
FTV 225	12	1.600	50	1000	25	50	50	25	18	15	4
FTV 240	9	1.600	34	1000	17	50	34	25	14	16	6
FTV 240	9	2.500	40	1600	20	80	40	40	16	25	6
FTV 240	9	4.000	50	2500	25	120	50	63	18	40	6
FTV 250	9	4.000	48	2500	24	120	48	63	16	40	7
FTV 250	9	6.300	65	4000	33	200	65	100	20	63	7
FTV 250	9	10.000	85	6300	43	-	-	-	-	80	7

* Float in Titanium - (1) AL.= Float in Aluminium - (2) DISC= Float in AISI 316 type Disc

Flowrange H₂O at 20°C; Flowrange AIR at 20°C - 1 Bar ass.

In case of fluids different from water or air please specify the type of fluid precising: specific gravity, viscosity, temperature, pressure, at the operating conditions.

HOW TO ORDER Es.: FTV215 - A - A - MD - V - XX

FTV215 model	N	NPT-F threaded connections	VN	float in Black Glass	PT	float disc	
A	ANSI connections	A	wetted parts in Carbon Steel	J	float in AISI 316	V	gaskets in Viton
U	UNI connections			AL	float in Aluminium	XX	speciality to be described separately
D	DIN connection (food)	J	wetted parts in AISI 316	Ti	float in Titanium		
T	TRI - CLAMP connections	PF	wetted parts in PVDF	Hc	float in Hastelloy c		
G	GAS-F threaded connections	MD	float in Hard Metal	PF	float in PVDF		