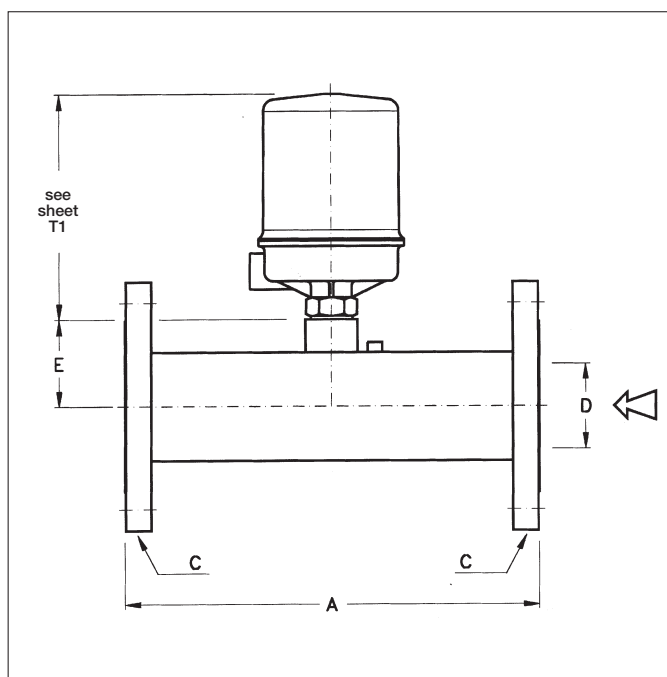
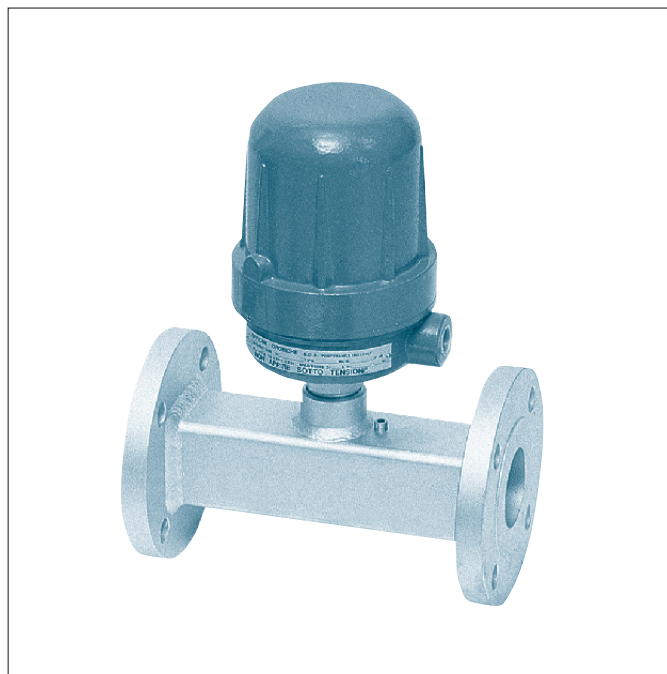


PLD SERIES FLOW ALARM SWITCHES

Paddle type flow switch for water, with max. or min. flow alarm, with a single switching unit and with output on SPDT switch.

TECHNICAL DATA

- horizontal mounting
- single switching unit (on request, two SPDT switches with simultaneous action can be supplied)
- set point can be adjusted to between 20 ÷ 50% of max. flow rate (Q).
- fixed differential for each set point with values variable between 20 ÷ 50% of max. flow rate (Q).
- set point accuracy $\pm 5\%$ of max. flow rate (Q)
- max. temperature 135°C
- max. pressure 10 Bar
- max. pressure drop 500 mm H₂O
- special versions made for liquids other than water.



MODEL	A mm	E mm	D		Q max m ³ /h H ₂ O	WEIGHT ~ KG
			UNI	ANSI		
PLD 40	200	55	40	1 1/2"	12	6
PLD 50	230	60	50	2"	15	9
PLD 65	280	65	65	2 1/2"	30	12
PLD 80	330	70	80	3"	40	14
PLD 100	380	80	100	4"	60	19
PLD 125	420	105	125	5"	100	26
PLD 150	420	105	150	6"	100	32

Std. "C" connections: flange UNI PN 10/ANSI 150 RF. On request, flanges with a higher rating can be supplied.

MATERIALS

CODE FOR:	Materials	Carbon steel	AISI 304	AISI 316
	Body	A	I	J
	Paddle and leverage	-	-	2

SWITCHES

Type	Mercury switch	Dry microswitch					Pneumatic switch*
Load rating	220 V a. c. 10 A 110 V d. c. 1,5 A	250 V a. c. 10 A 125 V d. c. 0,5 A	125 V d. c. 10 A	250 V a. c. 10 A 125 V d. c. 0,5 A waterproof	125 V a. c. 1 A 28 V d. c. 1 A waterproof with gold contacts	250 V a. c. 1A 24 V d.c. 3A sealed with inert gas	Output: 0 ÷ 40 psi max.
CODE	VD	M2	M3	M4	M6	M14	PNA (aluminium)

*Air inlet and output connection 1/4" NPT-F - No bleed type

ENCLOSURES

Type	Waterproof	Explosion-proof	The (WP) enclosures can be supplied whit gland or with a 3 or 7 pole connector as per MIL standards. The (EP) enclosures can be supplied whit explosion-proof gland. 1) CESI certificate N. 02-ATEX-126
Material	Aluminium	Aluminium	
Electrical Connection	1/2" NPT-F/GAS 3/4" NPT-F/GAS ISO M20X1.5	1/2" UNI 6125/NPT-F 3/4" UNI 6125/NPT-F ISO M20X1.5	
Protection degree	IP 66	ATEX II 2 G Ex d IIC T6 o T5 Gb ATEX II 1/2 D Ex ta/tb IIIC T85° o T100° C Da/Db IP 66	
CODE	WP	EP	

HOW TO ORDER

Example: PLD 50 - A - 2 - M2 - WP

PLD 50 model

A body in carbon steel

2 paddle and internal leverage in AISI 316

M2 dry microswitch 250 V a.c. - 10 A

WP waterproof enclosure

The following data are required: temperature, pressure, working flow rate and required set point.