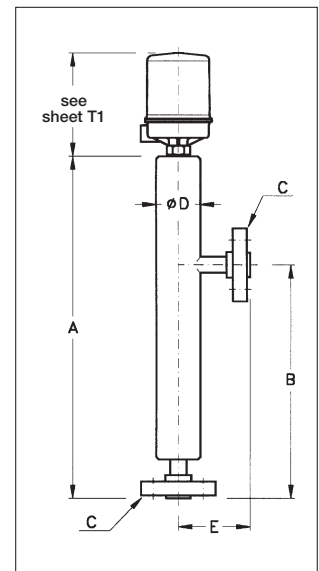
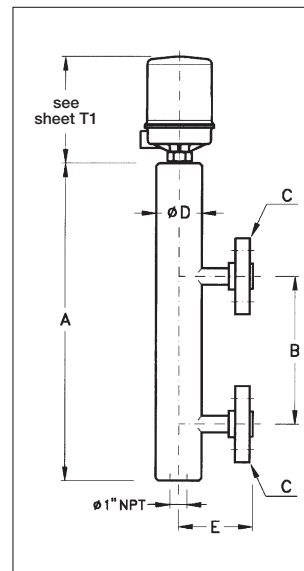
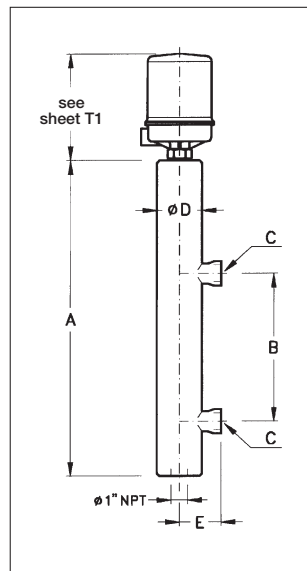
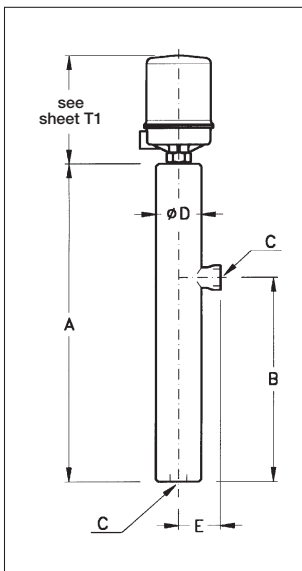
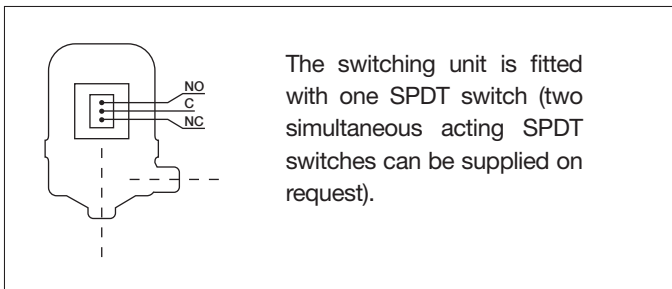
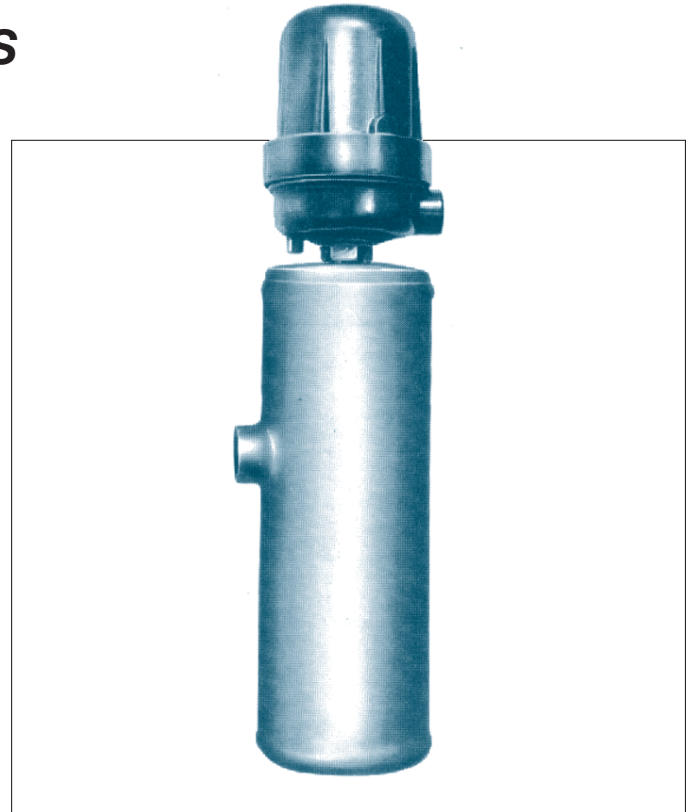


6000 SERIES LEVEL SWITCHES

Buoyancy level switch for external side mounting with a single switching unit. For pressure from 100 Bar to 400 Bar, for temperatures up to 135°C max. and for fluid with a specific gravity of 0.55 kg/dm³ min. Non-inspectable body. Minimum differential of switch, with SP.GR. 1 kg/dm³, 75 mm. This means that if the change-over takes place by increased (or decreased) contact level, the following change-over will take place when the level falls (or rises) by 75 mm. Set point accuracy: ± 7 mm.



NOTE. The set points are supplied on request, since these change according to the specific gravity and working conditions.

Standard "C" connections: Threading 1" NPT-F; Flange UNI PNDN 25/1" ANSI.....RF; 1" S.W.
On request, non-standard threads and flanges can be supplied.

On request, special versions can be supplied for working at temperatures below -10°C and over 135°C.

CONNECTIONS	THREADED					FLANGED				
POSITION	B CONNECTIONS DISTANCE mm	A mm	D mm	E mm	WEIGHT ~ Kg	B CONNECTIONS DISTANCE mm	A mm	D mm	E mm	WEIGHT ~ Kg
SIDE/BOTTOM	400	630	89	82	16	480	710	89	145	20
SIDE/SIDE	178	515	89	82	14	178	515	89	145	18
SIDE/SIDE	292	630	89	82	16	292	630	89	145	20
SIDE/SIDE	330	670	89	82	17	330	670	89	145	21
SIDE/SIDE	356	695	89	82	17	356	695	89	145	21

6100 Series

CONNECTIONS	THREADED					FLANGED				
POSITION	B CONNECTIONS DISTANCE mm	A mm	D mm	E mm	WEIGHT ~ Kg	B CONNECTIONS DISTANCE mm	A mm	D mm	E mm	WEIGHT ~ Kg
SIDE/BOTTOM	400	630	89	82	20	480	710	89	145	27
SIDE/SIDE	292	630	89	82	20	292	630	89	145	27
SIDE/SIDE	330	670	89	82	21	330	670	89	145	28
SIDE/SIDE	356	695	89	82	21	356	695	89	145	28

6150 Series

CONNECTIONS	THREADED					FLANGED				
POSITION	B CONNECTIONS DISTANCE mm	A mm	D mm	E mm	WEIGHT ~ Kg	B CONNECTIONS DISTANCE mm	A mm	D mm	E mm	WEIGHT ~ Kg
SIDE/BOTTOM	400	630	89	82	34	480	710	89	145	37
SIDE/SIDE	292	630	89	82	34	292330	630	89	145	37
SIDE/SIDE	330	670	89	82	35	356	670	89	145	38
SIDE/SIDE	356	695	89	82	35	356	695	89	145	38

6250 Series

CONNECTIONS	THREADED					FLANGED				
POSITION	B CONNECTIONS DISTANCE mm	A mm	D mm	E mm	WEIGHT ~ Kg	B CONNECTIONS DISTANCE mm	A mm	D mm	E mm	WEIGHT ~ Kg
SIDE/BOTTOM	400	640	114	155	45	490	730	114	200	47
SIDE/SIDE	292	640	114	155	45	292	640	114	200	47
SIDE/SIDE	330	680	114	155	50	330	680	114	200	52
SIDE/SIDE	356	705	114	155	50	356	705	114	200	52

6400 Series



WORKING CONDITIONS

MODEL		6100			6150			6250			6400		
STD "C" FLANGE		1" ANSI 600 RF			1" ANSI 900 RJ			1" ANSI 1500 RJ			1" ANSI 2500 RJ		
VERSION		A	I	J	A	I	J	A	I	J	A	I	J
Temperatures	38° C	104	101	101	156	151	151	260	253	253	439	422	422
	100° C	95	84	87	142	126	130	237	211	217	395	351	362
	135° C	93	79	83	140	119	124	234	198	207	390	330	345
BODY RATING		ANSI 600			ANSI 900			ANSI 1500			ANSI 2500		

Max pressure in bar

MATERIALS

CODE FOR:	Materials	Carbon steel	AISI 304	AISI 316
	Body	A	I	J
	displacer	-	-	2

SWITCHES

Type	Mercury switch	Dry microswitch					Pneumatic switch*
Load rating	220 V a. c. 10 A 110 V d. c. 1,5 A	250 V a. c. 10 A 125 V d. c. 0,5 A	125 V d. c. 10 A	250 V a. c. 10 A 125 V d. c. 0,5 A waterproof	125 V a. c. 1 A 28 V d. c. 1 A waterproof with gold contacts	250 V a. c. 1A 24 V d.c. 3A sealed with inert gas	Output: 0 ÷ 40 psi max.
CODE	VD	M2	M3	M4	M6	M14	PNA (aluminium)

*Air inlet and output connection 1/4" NPT-F - No bleed type

ENCLOSURES

Type	Waterproof	Explosion-proof	The (WP) enclosures can be supplied whit gland or with a 3 or 7 pole connector as per MIL standards. The (EP) enclosures can be supplied whit explosion-proof gland. 1) CESI certificate N. 02-ATEX-126
Material	Aluminium	Aluminium	
Electrical Connection	1/2" NPT-F 3/4" NPT-F ISO M20X1.5	1/2" UNI 6125/NPT-F 3/4" UNI 6125/NPT-F ISO M20X1.5	
Protection degree	IP 66	ATEX II 2 G Ex d IIC T6 o T5 Gb ATEX II 1/2 D Ex ta/tb IIIC T85° o T100° C Da/Db IP 66	
CODE	WP	EP	

HOW TO ORDER

Example: 6100 - A - 2 - M2 - WP

- 6100 model
- A body in carbon steel
- 2 displacer in S/steel AISI 316
- M2 dry micro. 250 V a.c. - 10 A
- WP waterproof enclosure

The following data are required: type of fluid, specific gravity, operating temperature and pressure.

