

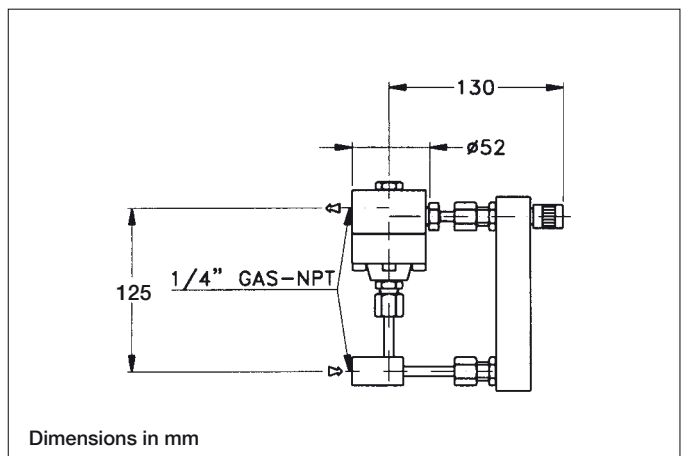
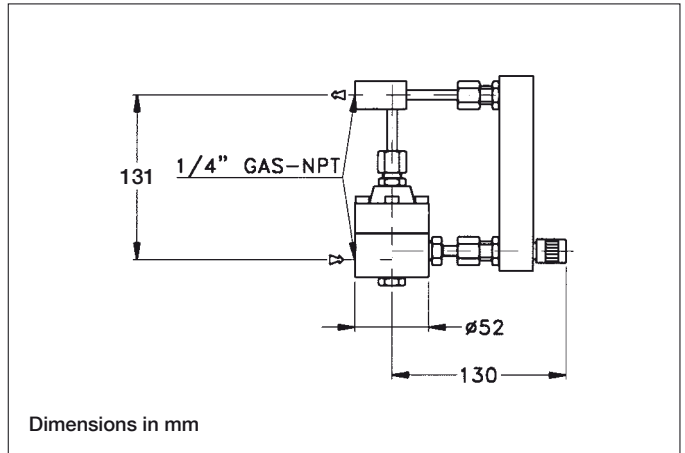
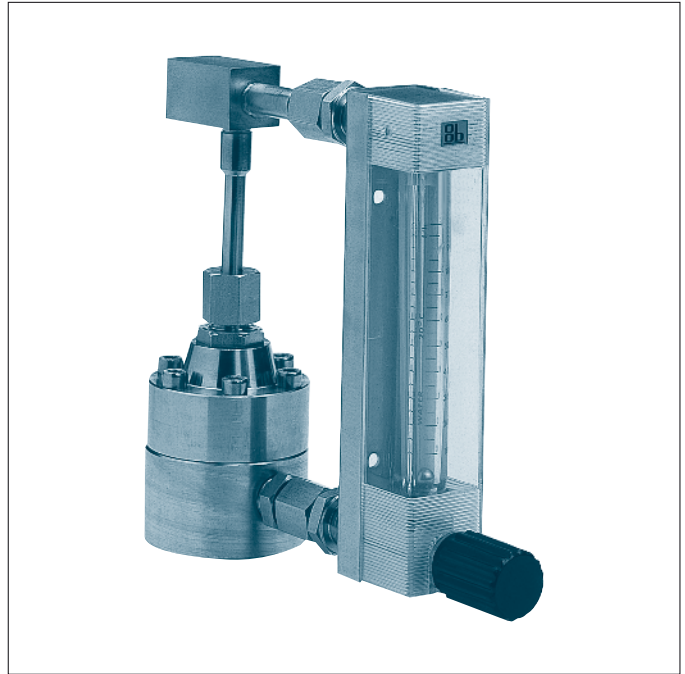
212R SERIES - PURGE FLOWMETERS

TECHNICAL FEATURES

- Borosilicate glass tube
- Structure in AISI 304
- Wetted parts in AISI 316
- Spherical float in AISI 316
- Built-in control valve in AISI 316
- Gaskets in Viton
- Float-stop in Teflon
- Membrane in Viton
- Length of the scale about 65 mm.
- Accuracy: $\pm 5\%$ full scale value
- Quick replacement of the glass
- Protection in plexiglass
- Holes for fixing on panel
- Supply pressure 2 - 8 Bar
- Differential pressure min. 0,5 Bar
- Self-regulator in brass or AISI 316 for flow in input or output from 1/4" up to 3000 NI/h of air
 - Self-regulator in input (RE), is used with variable pressure in input and constant in output (this last value has to be used in the calculation).
 - Self-regulator in output (RU), is used with variable pressure in output and constant in input (this last value has to be used in the calculation).
- Weight 1,4 kg

ACCESSORIES

- Inductive monostable or bistable alarm NAMUR type
- Aluminium frontal panel



| SPHERE DIAMETER mm | CODE scale | AIR (NI/h) 20°C 1 Bar |
|-----------------------|---------------|--------------------------|
| 4 | H0 | 0,5 - 5 |
| 4 | H1 | 0,8 - 8 |
| 4 | H2 | 1,6 - 16 |
| 4 | H3 | 2,5 - 25 |
| 4 | H4 | 4 - 40 |
| 4 | H5 | 6 - 60 |
| 6 | G0 | 10 - 100 |
| 6 | G1 | 16 - 160 |
| 6 | G2 | 25 - 250 |
| 6 | G3 | 40 - 400 |
| 6 | G4 | 63 - 630 |
| 6 | G5 | 100 - 1.000 |
| 6 | G6 | 160 - 1.600 |
| 6 | G7 | 250 - 2.500 |
| 6 | G8 | 400 - 4.000 |

The alarm contact is not applicable on the flowmeters with scale code "G7" and "G8"

HOW TO ORDER

Example: 212R - J - 1 - G5 - C0 - RPJE - XX

212R model

J wetted parts in AISI 316

- 1 threaded connections 1/4" GAS-F
- 2 threaded connections 1/4" NPT-F
- 3 flanged connections DN 15 PN16 UNI
- 4 connections 1/2" ANSI 150 RF
- 5 connections 1/2" ANSI 300 RF

G5 flow range 100 - 1000 NI/h (see schedule code)

- C0 no sensor
- C1 bistable inductive sensor
- C2 monostable inductive sensor

- RPJE self-regulator 1/4" ss 316 in input
- RPJU self-regulator 1/4" ss 316 in output
- RPOE self-regulator 1/4" in brass in input
- RPOU self-regulator 1/4" in brass in output

XX speciality to be described separately

In case of gas different from air please specify the type of gas precising: specific gravity, temperature, pressure, at the operating conditions.